

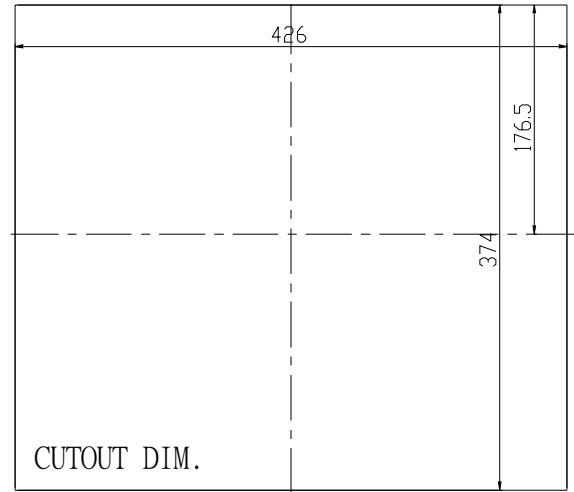
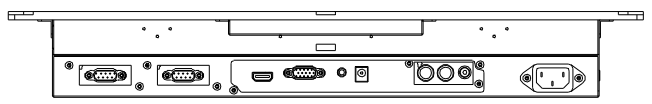
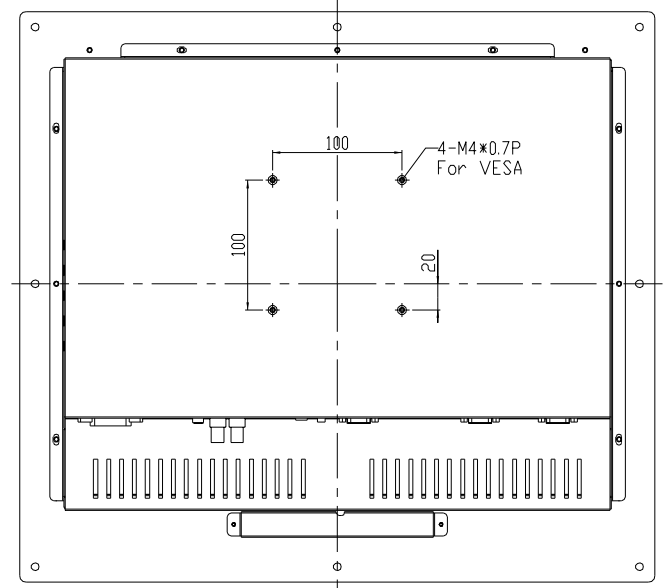
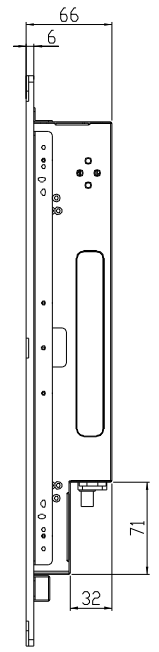
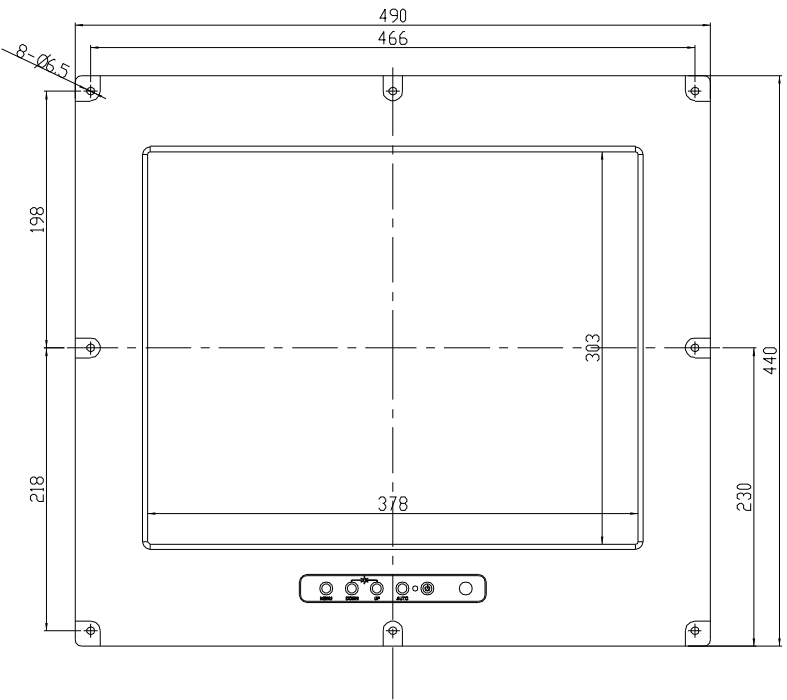
1 2 3 4 5

A

B

C

D



| | | | | | | | | | | |
|----------|--|-------|---------|----------|-------|------|-------------|----------|-------|--|
| AD/BOARD | | MODEL | | | | | PART NAME | ASSEMBLY | | |
| INVERTER | | | | | | | | APPROVED | DRAWN | |
| KEY PAD | | | VERSION | MATERIAL | METAL | DATE | 2014-Sep-04 | | | |
| PANEL: | | V1 | | | | | | | | |