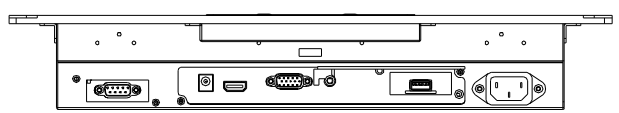
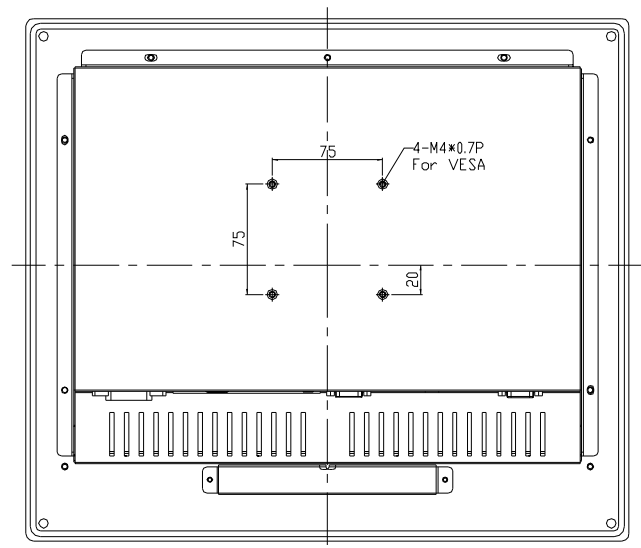
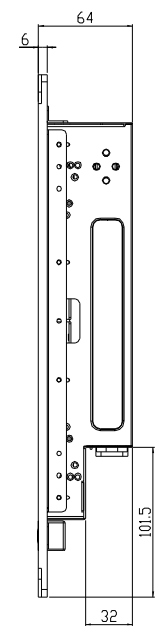
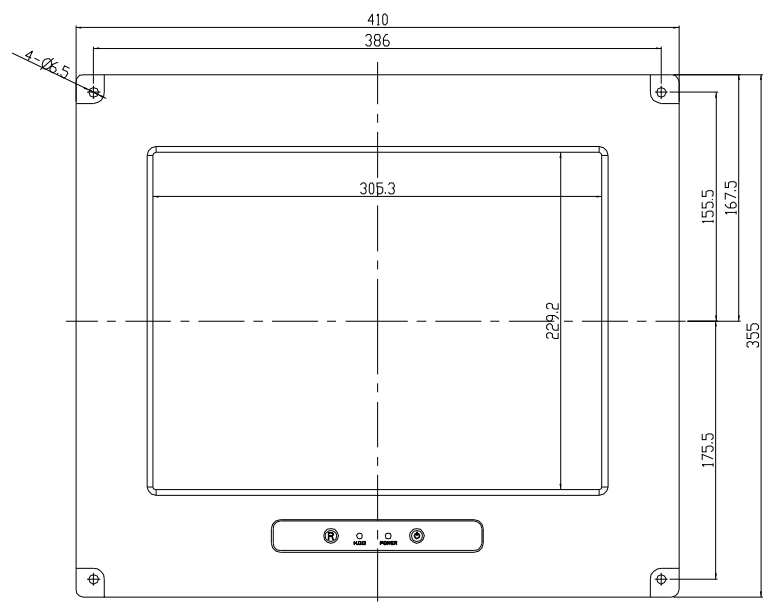


A

B

C

D



AD/BOARD		MODEL				PART NAME		ASSEMBLY			
INVERTER											
KEY PAD										MATERIAL	METAL
PANEL:		VERSION									
		V1									