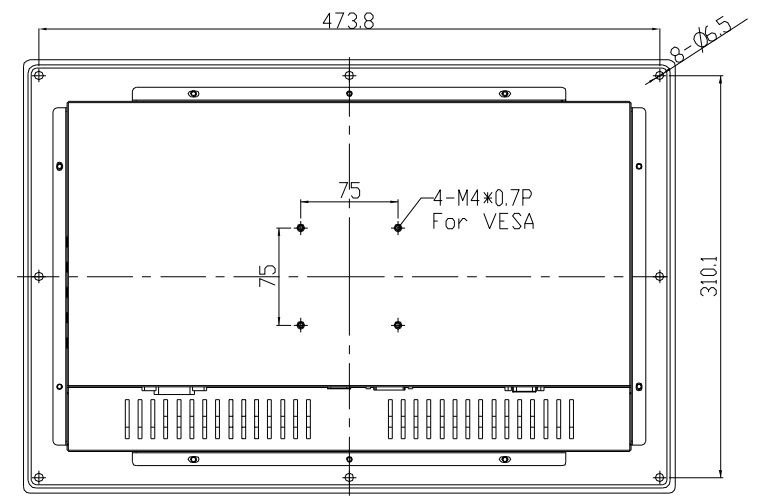
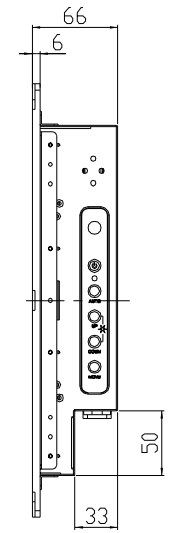
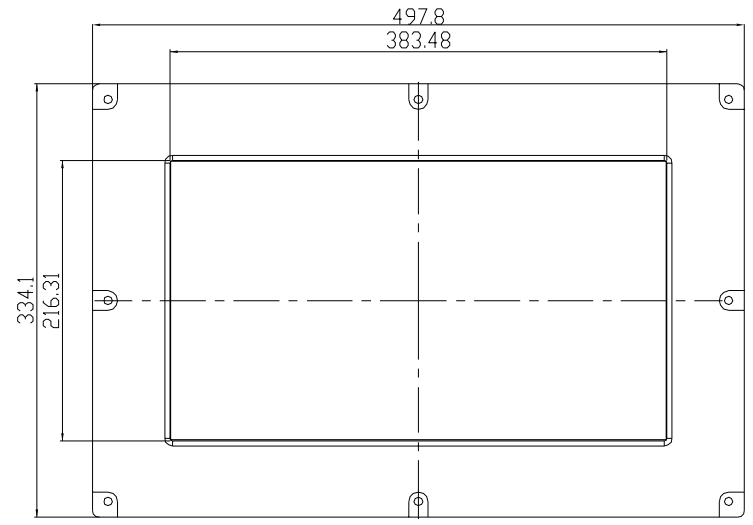
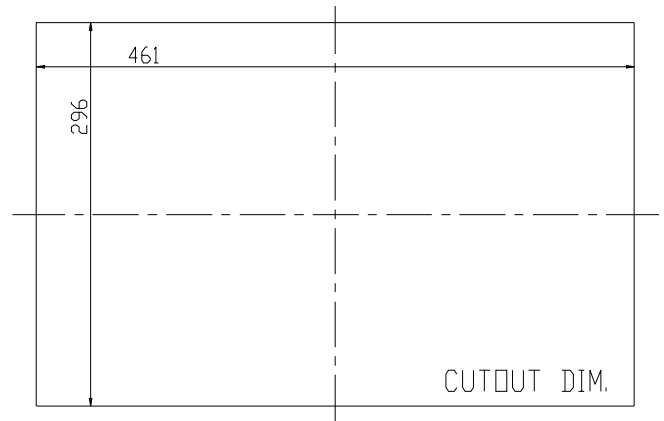
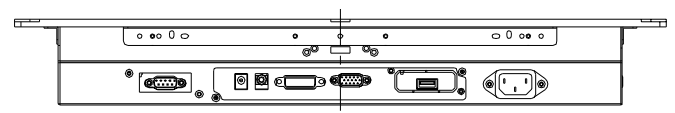


A



B

C



D

AD/BOARD		MODEL				PART NAME	ASSEMBLY			
INVERTER										
KEY PAD			MATERIAL	METAL	DATE	2014-Dec-11	APPROVED	DRAWN	Chris	UNIT
PANEL:		VERSION								V1