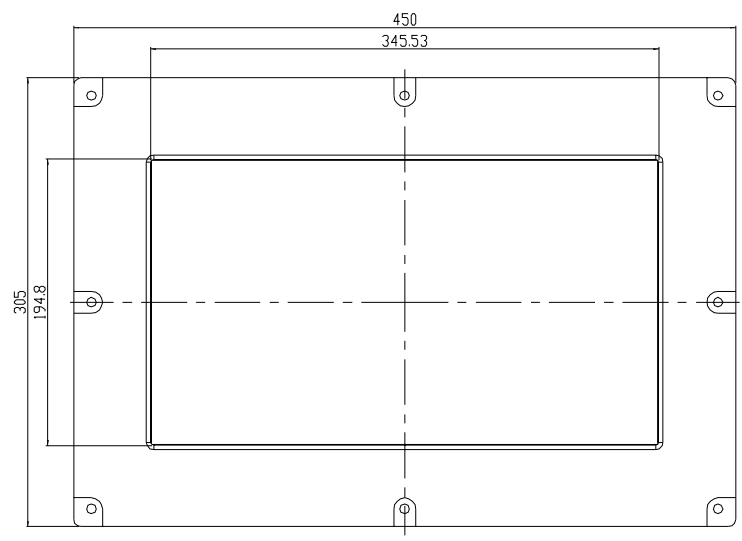
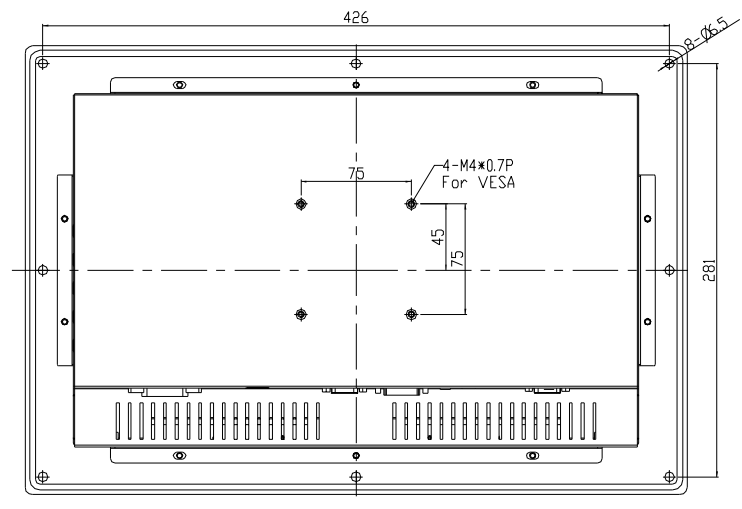
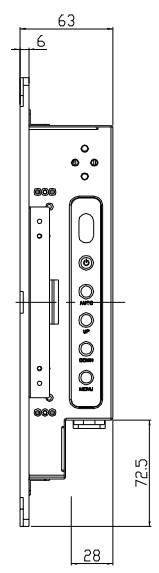


1 2 3 4 5

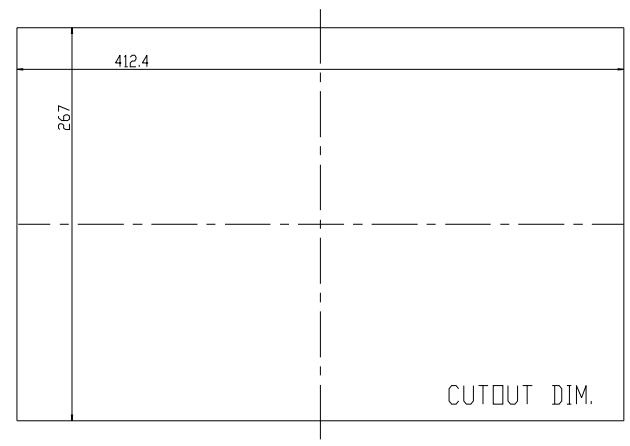
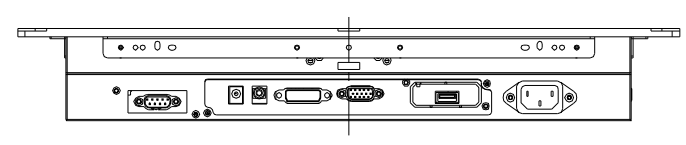
A



B



C



CUTOUT DIM.

D

AD/BOARD		MODEL				PART NAME	ASSEMBLY			
INVERTER			MATERIAL	METAL	DATE		2014-May-06	APPROVED		
KEY PAD			VERSION							
PANEL:		V1								