

## DH-PFB201C

### In-ceiling Mount Bracket



### Features

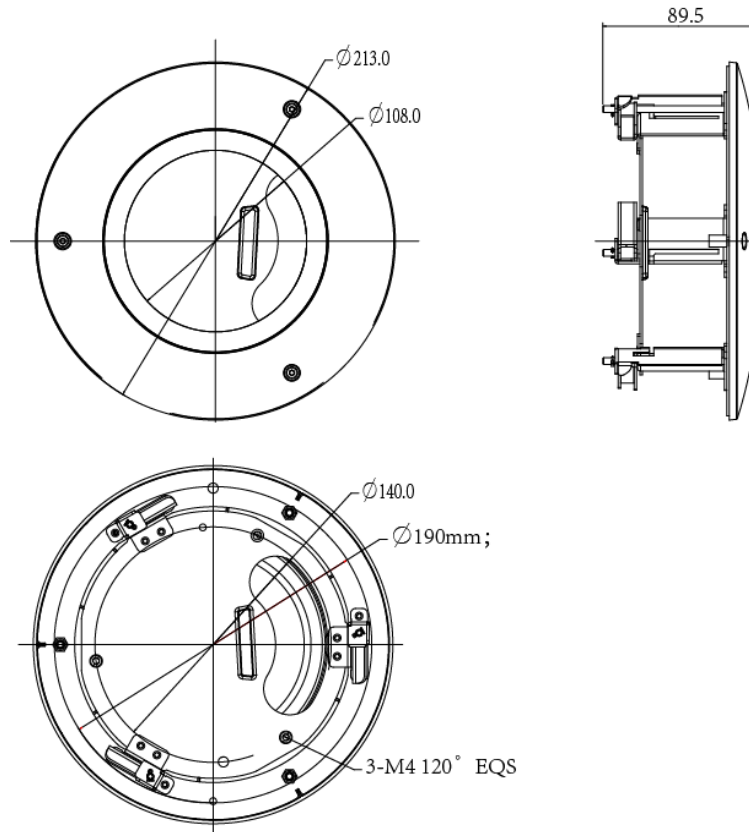
- Material: SECC & PC
- In-ceiling Mount Bracket
- Neat & Integrated design

### Specifications

Model	DH-PFB201C
<b>General</b>	
Material	SECC & PC
Dimension	Φ211.0x88.0mm
Inch Thread	G3/4"
Operating Temperature	-40°C ~60°C
Humidity	0~90% RH
Load Bearing	1.5Kg
Weight	0.61Kg
Color	White
Applicable Model	Please see "Accessory Selection"

# DH-PFB201C

## Dimensions (mm)



## Application

