

PFA136

Water-proof Junction Box



Features

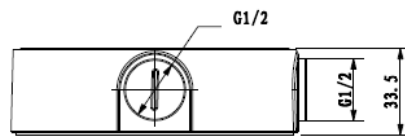
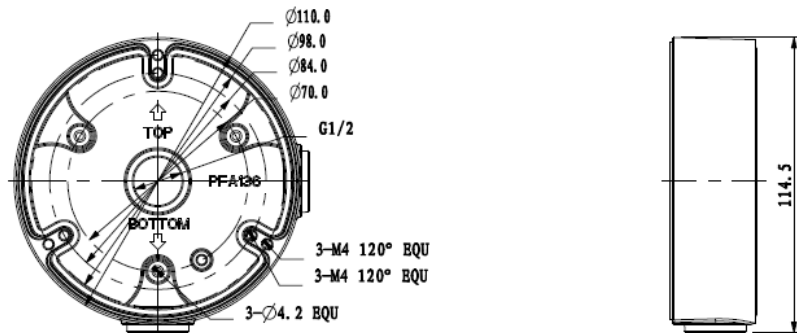
- Material: Aluminum
- Junction Box
- Neat & Integrated design

Specifications

Model	PFA136
General	
Material	Aluminum
Dimension	φ110x33.5mm
Inch Thread	M20(G1/2")
Operating Temperature	-40°C ~60°C
Humidity	0~90% RH
Load Bearing	1.0Kg
Weight	0.18Kg
Color	White
Applicable Model	Please see "Accessory Selection"

PFA136

Dimensions (mm)



Application

