

## PFA120

### Water-proof Junction Box



### Features

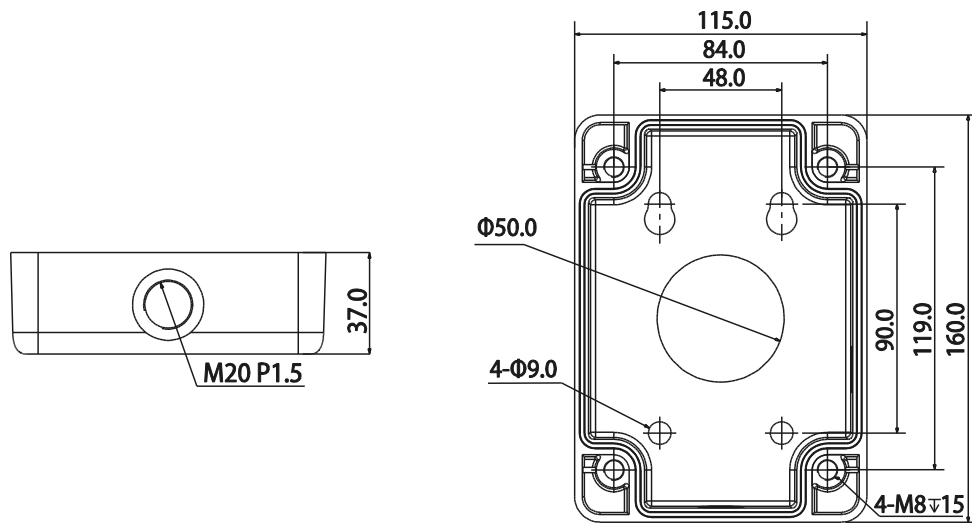
- Material: Aluminum
- Junction Box
- Neat & Integrated design

### Specifications

Model	PFA120
<b>General</b>	
Material	Aluminum
Dimension (W x H x D)	115mm x 160mm x 37mm
Pipe Thread	M20(G1/2")
Operating Temperature	-40°C ~60°C
Humidity	0~90% RH
Load Bearing	7.0Kg
Weight	0.53Kg
Applicable Model	Please see "Accessory Selection"

# PFA120

## Dimensions (mm)



## Application

