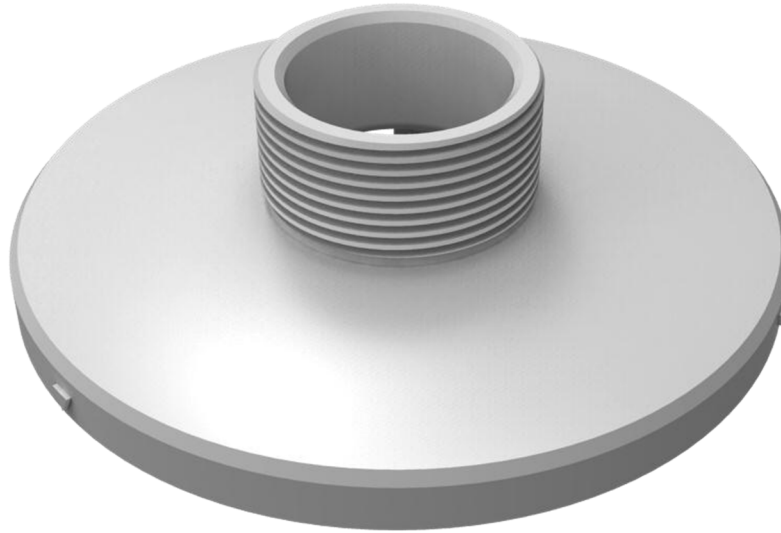


## Mount Adapter



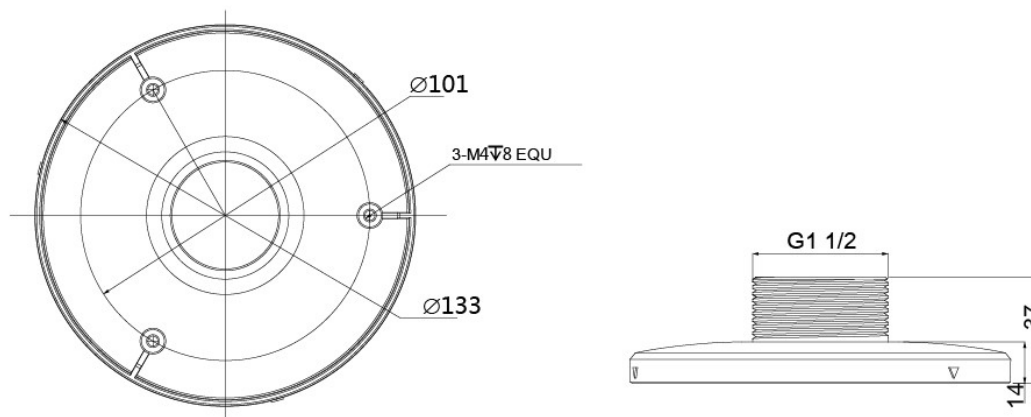
### Features

- Material: Aluminum
- Hanging Mount Adapter
- Neat & Integrated design

## Specifications

<b>Model</b>	<b>PFA103</b>
<b>General</b>	
Material	Aluminum
Dimension (W x H x D)	φ133mm x 37mm
Pipe Thread	G1 1/2"
Operating Temperature	-40°C ~60°C
Humidity	0~90% RH
Load Bearing	3.0Kg
Weight	0.13Kg
Applicable Model	Please see "Accessory Selection"

## Dimensions (mm)



## Application

