

## ▲ DH-MV-S5501MG00E

- Movidius Myraid 2 VPU
- 512MB RAM & 512MB NAND
- Conform to CE, FCC and RoHS certifications
- Software trigger/Hardware trigger/Free run mode
- Embedded algorithm: code-reading, template matching
- 1Gbps Ethernet industrial interface, max 100m transmission



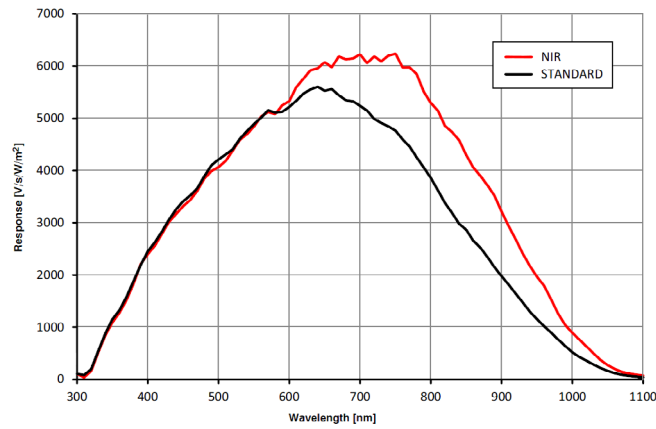
### Specification

Model	Sensor	Sensor type	Shutter	Resolution	Frame rate ( fps )	Bit depth	Interface	Mono/Color	Pixel size ( μ m )	Sensor size
DH-MV-S5501MG00E	Python 5000	CMOS	Global	2590x2046	15	10	GigE	Mono	4.8x4.8	1"

Model	DH-MV-S5501MG00E
Effective Pixels	5MP
Processor	Movidius Myraid 2 VPU
SNR	>38dB
Dynamic Range	60dB
Interface	M12 8-pin Ethernet, M12 12-pin GPIO
GPIO	12 pins I/O connector, RS232/485(optional): 1ch input, 1ch output; Opto-isolated:3ch input; 3ch output
Memory	512MB RAM and 512MB non-volatile flash memory
Exposure Time	4μs~1s
Trigger Mode	Software trigger/Hardware trigger/Free run mode
SDK	SVStudio
Dimensions	68mm x 55mm x 28mm( not including lens mount and height of connectors)
LED indicator	5 LED indicators represent system, network, trigger and 2 sets of user-defined configurations
Lens mount	Support C-mount, M12 mount and optional built-in illumination
Power Supply	Support 8~26V DC wide range power supply
IP Rating	IP67 with lens cover
Temperature	Storage temperature: -30° C~ + 80° C; Operation temperature: -20° C~+50° C

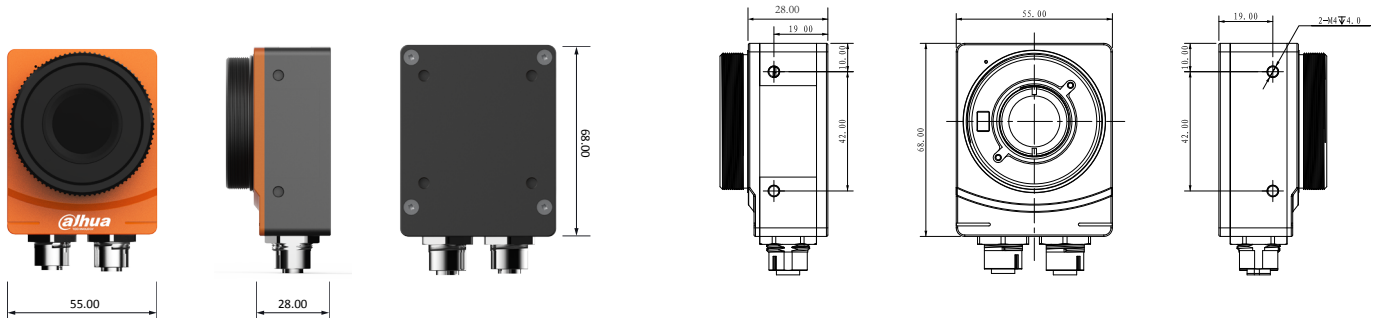
# Spectrogram

## S5501MG00E

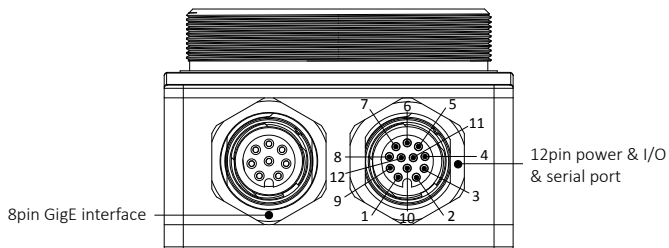


Quantum Efficiency Curve for Mono Sensor

# Dimensions



# IO Interface Instruction



Pin	Signal	Description
1	OPTO_IN1	Opto-isolated input 1
2	OPTO_IN2	Opto-isolated input 2
3	OPTO_OUT1	Opto-isolated output 1
4	OPTO_OUT2	Opto-isolated output 2
5	RXD\B(-)	Serial port input
6	OPTO_IN_GND	Opto-isolated in ground
7	POWER	DC 8V-24V input
8	GND	Power ground
9	OPTO_OUT_GND	Opto-isolated out ground
10	OPTO_IN0	Opto-isolated input 0
11	OPTO_OUT0	Opto-isolated output 0
12	TXD\A(+)	Serial port output