

▲ DH-MV-L5163MX140-4E

- CoaXPress applies CXP-6 with a theoretical 4*6.25G bandwidth
- Support multiple image data formats
- Supports flat field correction for multiple user groups
- Software trigger/Hardware trigger/Free run mode
- Conforms to CoaXPress protocol and GenICam standard



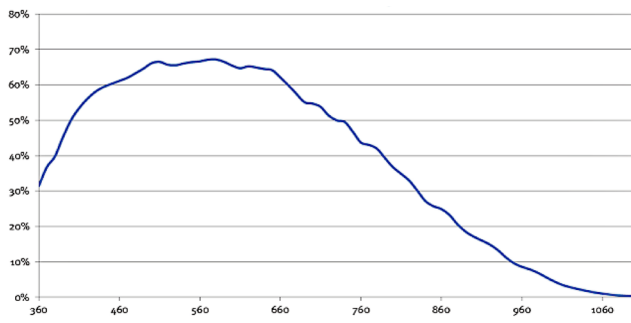
Specification

Model	Sensor	Sensor type	Resolution	Line rate (Hz)	Bit depth	Interface	Mono/Color	Pixel size(μ m)
DH-MV-L5163MX140-4E	E2V	CMOS	16384x4	140K	12	CoaXPress	Mono	5x5

Model	DH-MV-L5163MX140-4E
SNR	45.5dB
Dynamic Range	73dB
Sensitivity	450LSB/(nJ/cm ²)
GPIO	CoaXPress 4X Links
Image Format	Mono8/10/12
Gain	X1~X4
Exposure Time	1.5 μ s~6553.5 μ s
Dimensions	100mmx156mmx29.8mm(not including lens mount and rear case connector)
Flat Field Correction	Support FFC
Weight	700g
Power Supply	PoCXP/ support DC24V wide-range power supply
Lens Mount	M95x1
Power Consumption	18W
Lens Mount	C
Temperature	Storage temperature:-30° C~ + 80° C; Operation temperature:-30° C~+50° C

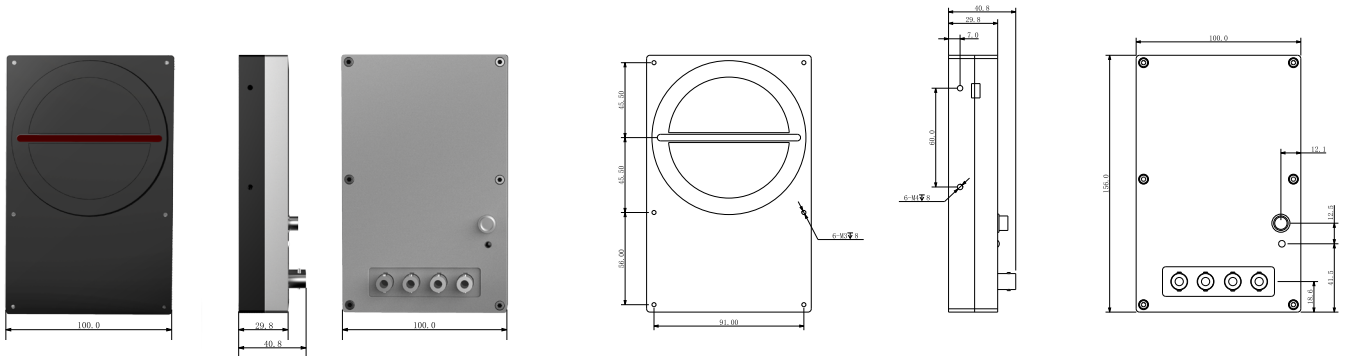
Spectrogram

L5163MX140-4E

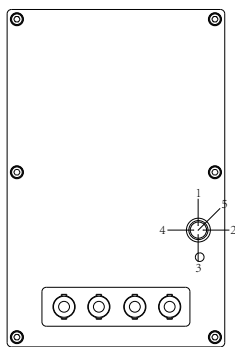


Quantum Efficiency Curve for Mono Sensor

Dimensions



IO Interface Instruction



Pin	Signal
1	LVDS IN1+/TTL IN1
2	LVDS IN1-
3	LVDS IN2+/TTL IN2
4	LVDS IN2-
5	GND