

## 2Megapixel 1080P Starlight HDCVI Box Camera



### Features

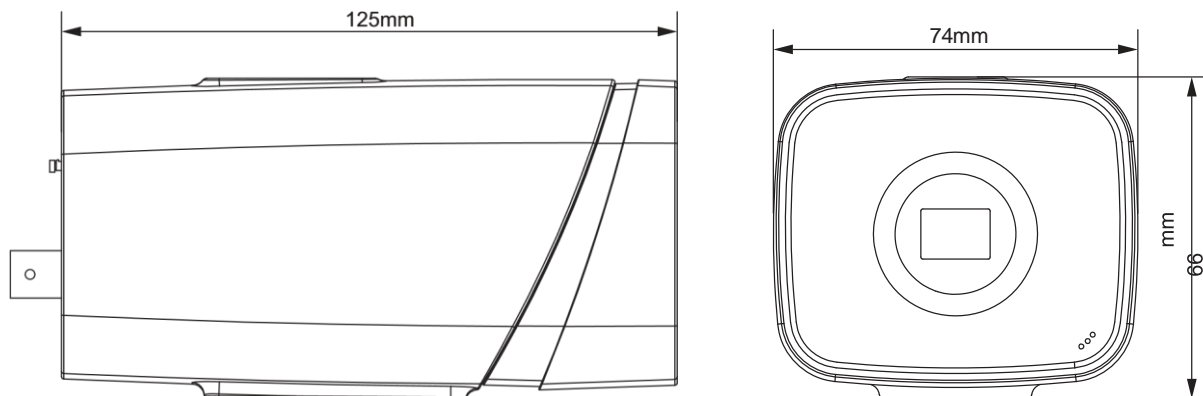
- Support HDCVI/Analog/IP Video input
- 1/2.8" 2.1Megapixel CMOS
- 25/30fps@1080P, 25/30/50/60fps@720P
- High speed, long distance real-time transmission
- HD and SD dual-output (SDI optional)
- OSD Menu, control over coaxial cable
- 120dB True WDR, Day/Night(ICR), AWB, AGC, BLC, 3DNR
- Audio, Alarm
- AC24V/DC12V

### Specifications

Model	DH-HAC-HF3231EP	DH-HAC-HF3231EN
<b>Camera</b>		
Image Sensor	1/2.8" 2.1Megapixel CMOS	
Effective Pixels	1945(H)×1097(V)	
Electronic Shutter	1.3s~1/30,000s	1s~1/30,000s
Video Frame Rate	25/50fps@720P; 25fps@1080P	30/60fps@720P; 30fps@1080P

<b>Synchronization</b>	<b>Internal</b>
<b>Mini. Illumination</b>	<b>0.005Lux/F1.4 (color); 0.0005Lux/F1.4 (B/W)</b>
<b>Video Output</b>	<b>1-channel BNC HDCVI high definition video output &amp; CVBS standard definition video output</b>
<b>Camera Features</b>	
<b>Day/Night</b>	<b>Auto(ICR) / Color / B/W</b>
<b>Noise Reduction</b>	<b>2D/3D</b>
<b>OSD Menu</b>	<b>Support</b>
<b>Lens</b>	
<b>Lens Type</b>	<b>Manual/Auto Iris</b>
<b>Mount Type</b>	<b>C/CS</b>
<b>Auxiliary Interface</b>	
<b>RS485</b>	<b>1</b>
<b>Alarm</b>	<b>2 channel in/ 1 channel out</b>
<b>Audio</b>	<b>1 channel in</b>
<b>General</b>	
<b>Power Supply</b>	<b>AC24V±25% / DC12V±25%</b>
<b>Power Consumption</b>	<b>Max 4.7W</b>
<b>Working Environment</b>	<b>-30°C~+60°C / Less than 95%RH (no condensation)</b>
<b>Transmission Distance</b>	<b>Over 500m via 75-3 coaxial cable</b>
<b>Dimensions(W×D×H)</b>	<b>125mm×74mm×66mm</b>
<b>Weight</b>	<b>0.48kg</b>
<b>Material</b>	<b>Metal</b>

### Dimensions (mm)



### Accessories

			
PFB110W	PFB121W	PLZ1030-D	PLZ1130-D