

2.1 Megapixel WDR HDVCI IR HDCVI Mini Dome



Features

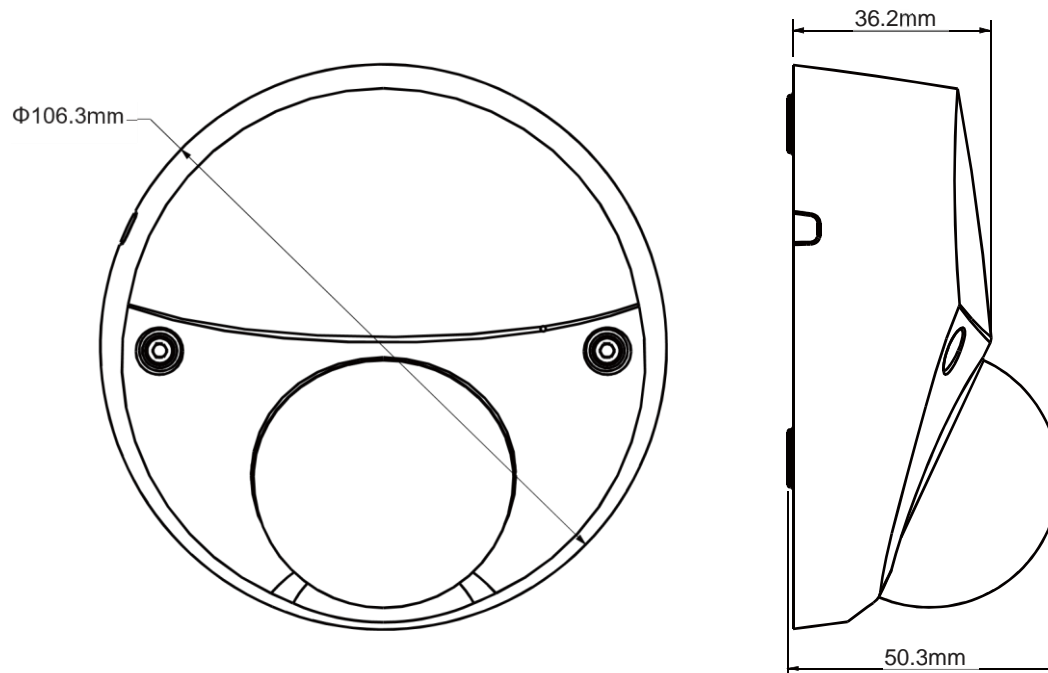
- 1/2.7" 2.1Megapixel CMOS
- 25/30fps@1080P, 25/30/50/60fps@720P
- High speed, long distance real-time transmission
- HD and SD dual-output, SD Tester out
- OSD Menu, control over coaxial cable; Build-in MIC
- WDR(120dB), AWB, AGC, BLC, 3DNR
- 3.6mm fixed lens (2.8mm, 6mm optional)
- Max. IR LEDs length 20m, Smart IR
- IP67, IK10, DC12V

Specifications

Model	DH-HAC-HDBW2221FP	DH-HAC-HDBW2221FN
Camera		
Image Sensor	1/2.7" 2.1Megapixel CMOS	
Effective Pixels	1928(H)×1088(V)	
Electronic Shutter	1/3s~1/300,000s	
Video Frame Rate	25/30/50/60fps@720P; 25/30fps@1080P	
Synchronization	Internal	
Mini. Illumination	0.03Lux/F2.0, 0Lux IR on	
Video Output	1-channel BNC HDCVI high definition video output & CVBS standard definition video output SD Tester out	
Camera Features		
Max. IR LEDs Length	20m, Smart IR	
Day/Night	Auto(ICR) / Color / B/W	
Backlight Compensation	120dB True WDR	
Noise Reduction	2D/3D	
OSD Menu	Multi-language	
Lens		
Focal Length	3.6mm (2.8mm, 6mm optional)	
Angle of View	H: 90°(115.6°/59.4°)	
Mount Type	M12	
General		
Power Supply	DC12V±25%	
Power Consumption	Max 3.5W	
Working Environment	-30°C~+60°C / Less than 95%RH (no condensation)	
Transmission Distance	Over 500m via 75-3 coaxial cable	
Ingress Protection	IP67 & IK10	
Dimensions(W×D×H)	Φ106.3mm×50.3mm	

Weight	0.3kg
Material	Metal
Others	Build-in MIC

Dimensions (mm)



Accessory (optional)

		
PFB204W	PFA139	PFA152