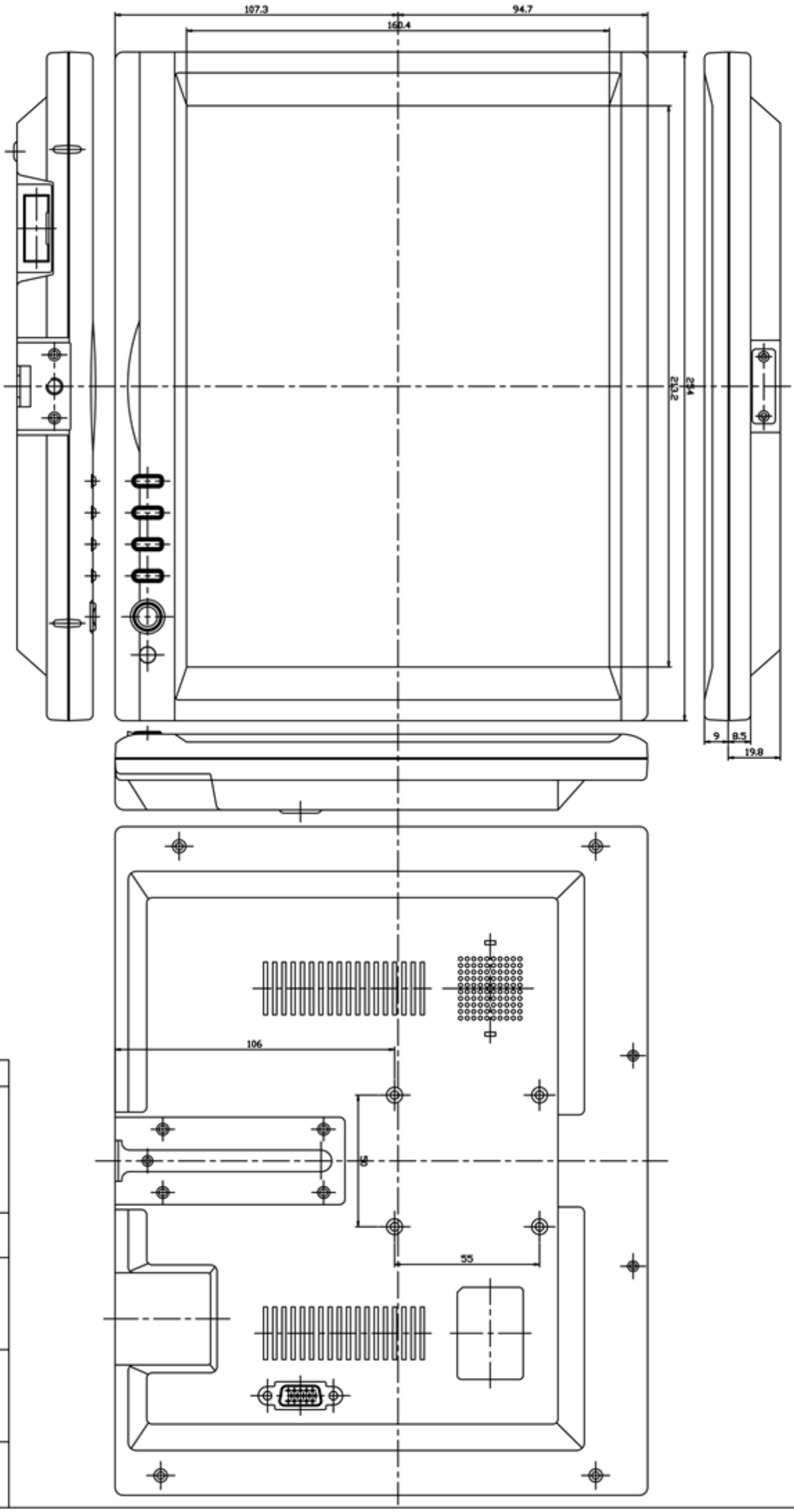


MARK	REVISIONS	DESIGNED	CHECKED	APPROVED
△				
△				



NO.	DESCRIPTION	QTY	MATERIAL	FINISH	REMARK
3RD ANGLE PROJECTION	UNIT	SCALE	MODEL NO.		
DESIGNED	M/M	1 / 1	PART NAME		
CHECKED		APPROVED	DRAWING NO.		

LENGTH (mm)	TOLERANCE (±)	ANGLE (°)
0-25	0.05	±0.2
25-100	0.1	
100-250	0.15	
250-400	0.2	
400-500	0.3	