

I99

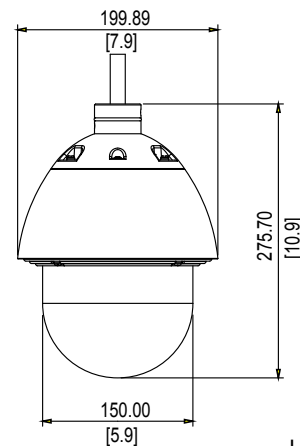
2MP Outdoor Speed Dome with D/N, Extreme WDR, ELLS, 36x Zoom Lens



- 2 Megapixel
- Day & Night with Extreme Low Light Sensitivity
- 36x Zoom Lens with f4.6-165.6mm / F1.55-5.0, DC Iris, Auto Focus
- Extreme WDR
- 60 fps at 1920 x 1080
- Endless Pan & Tilt
- PTZ Auto Tracking
- Weatherproof (IP67) and Vandal Proof Options (IK10)
- Built-in Analytics

PHOTO INDICATION

DIMENSION DIAGRAM



Unit: mm [inch]

ACCESSORY OPTIONS

Dome Cover		
PDCX-1108		Smoked, Vandal proof (IK10)

High PoE Injector		
PPOE-0102		High PoE Injector with universal connector

Popular Mounting Solutions		
Wall	PMAX-0312 PMAX-0702	
Pendant	PMAX-0102	
Corner	PMAX-0312 PMAX-0702 PMAX-0402	
Pole	PMAX-0312 PMAX-0702 PMAX-0503	
Parapet	PMAX-0808	

* For more mounting solutions, please refer to Project Planner on www.acti.com

PRODUCT SPECIFICATION

I99

• Device

Product Type	Outdoor Speed Dome Camera
Image Sensor	Progressive Scan CMOS
Sensor Size	1/2.8"
Effective Pixels	1945 (H) x 1097 (V) (2.13 MP)
Horizontal Resolution	1800 TVL
Day / Night	Yes
Low Light Sensitivity	Exterme
Minimum Illumination	Color: 0.1 lux at F1.55 (30 IRE, 2400°K); B/W: 0.05 lux at F1.55 (30 IRE, 2400°K)
Color to B/W Switch	ISP based switch, configurable
Mechanical IR Cut Filter	Yes
IR Sensitivity Range	700- 1100nm
IR LED	No
Electronic Shutter	1/5 - 1/32,000 sec (manual mode); 1/5 - 1/32,000 sec (auto mode)
S/N Ratio	56 dB

• Lens

Focal Length	Zoom, f4.6 - 165.6mm / F1.55 - 5.0
Zoom Ratio / Speed	36x optical / 2 sec (tele to wide)
Iris	DC iris
Focus	Auto focus
Horizontal Viewing Angle	62.7° - 2.7°
Vertical Viewing Angle	38.5° - 1.6°

• PTZ

Manual Panning / Tilting Speed	0.32° ~ 54.72°/s; 0.16° ~ 27.36°/s
Preset Panning / Tilting Speed	0.16 ~ 720°/s; 0.16° ~ 360°/s
Panning Range	360° Endless
Tilting Range	-20° ~ 200°
Control	Remote manual control; 256 preset points; 10 preset tours; Auto scan
Preset Panning Accuracy	± 0.265°
Preset Tilting Accuracy	± 0.149°
Absolute Position	Yes
Protocol	ACTi URL command, Sony VISCA, Pelco D, Pelco P

• Video

Compression	H.264, MJPEG
Max. Frame Rate vs. Resolution	60 fps at 1920 x 1080; 60 fps at 1280 x 720; 30 fps at 640 x 480; 30 fps at 320 x 240
Multi-Streaming	Simultaneous triple streams based on 3 configurations
Bit Rate	128 Kbps - 12 Mbps (per stream)
Bit Rate Mode	Constant, Variable
Image Enhancement	Extreme WDR (145 dB); White balance: automatic, hold and manual; Brightness; Contrast; Sharpness; Automatic gain control; 2D+3D digital noise reduction; Flickerless; Defogging; Digital image stabilizer
Privacy Mask	20 configurable regions
Text Overlay	User defined text on video
Image Orientation	Image flip and mirror
Built-in Analytics	Face Detection, Motion Detection, Tamper, Shock Detection, PTZ Auto Tracking, Line Crossing, Enter Area, Missing Object, Unattended Object, Loitering

• Audio

Audio	2-way
Compression	8 kHz, Mono, PCM, 16 bit encoding; G.711
Audio-In	Cable with 3.5mm phone jack
Audio-Out	Cable with 3.5mm phone jack

• Network

Protocol & Service	IPv4/v6, TCP, UDP, DHCP, PPPoE, HTTP, HTTPS, DNS, DDNS, NTP, RTP, RTSP, RTCP, SMTP, FTP, IGMP, ICMP, ARP, Bonjour, UPnP, QoS, SNMP, IEEE 802.1X
Ethernet Port	1, Ethernet (10/100Base-T), RJ-45 connector
Security	IP address filtering; HTTPS encryption; Password protected user level; Anonymous login; IEEE 802.1X network access control

• Alarm

Alarm Trigger	Video motion detection (10 regions); External device through digital input; Sound detection; Intelligent event detection
Alarm Response	Notify control center; Go to PTZ preset point or preset tour; Change camera settings; Command other devices; E-mail notification with snapshots; Push notification to mobile device; Save video to local storage; Upload video to NVR server; Upload video or snapshot to FTP server; Activate external device through digital output

• Interface

Digital Input	4, Cable with Terminal Block
Digital Output	2, Cable with Terminal Block
Local Storage	MicroSDHC / MicroSDXC memory card slot (card not included)

• General

Power Source / Consumption	High PoE (IEEE802.3at) / 29.35 W; AC 24V / 68 W
Weight	2737 g (6.03 lb)
Dimensions (Φ x H)	200 x 276 mm (7.87" x 10.87")
Environmental Casing	Weatherproof (IP67); Vandal proof (IK10); Built-in dehumidifier
Mount Type	Pendant, Wall, Corner, Pole, Parapet
Starting Temperature	AC 24V: -52°C ~ 60°C (-61.6°F ~ 140°F) within 30 mins; High POE: -30°C ~ 60°C (-22°F ~ 140°F) within 30 minutes
Operating Temperature	AC 24V: -52°C ~ 60°C (-61.6°F ~ 140°F); High POE: -30°C ~ 60°C (-22°F ~ 140°F)
Operating Humidity	10% ~ 85% RH
Bundled Accessories	PoE injector (for USA) or AC 24V Power Adapter (for other countries except USA)
Approvals	CE (EN 55022 Class B, EN 55024), FCC (Part15 Subpart B Class B), IP67, IK10, NEMA 4X, UL (for bundled PoE injector or power adapter)

• Integration

Unified Solution	Fully compatible with ACTi software
ISV Integration	Software Development Kit (SDK) available; ONVIF Compliant; GB28181 Compliant
GPS Position	Manual setting
Firmware Access Browser	Microsoft Internet Explorer 9.0 or newer (full functionality) Safari with QuickTime installed, and other browsers with VLC installed (partial functionality)

* All specifications are subject to change without notice.

* All brand names and registered trademarks are the property of their respective owners.

www.acti.com

