

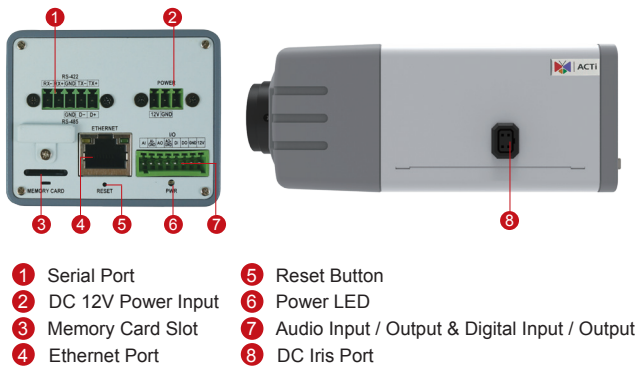
E217

2MP Box with D/N, Basic WDR, SLLS, Fixed Lens



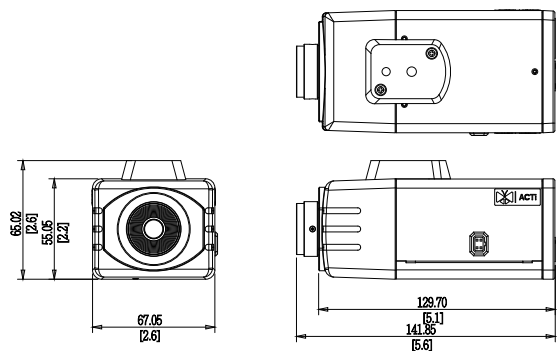
- 2 Megapixel with 1080p
- Day & Night with Superior Low Light Sensitivity
- Fixed Lens with f2.93mm / F2.0, Fixed Iris, Manual Focus
- Extreme WDR (145 dB)
- 60 fps at 1920 x 1080
- Super Wide Angle
- Built-in Analytics

PHOTO INDICATION



- 1 Serial Port
- 2 DC 12V Power Input
- 3 Memory Card Slot
- 4 Ethernet Port
- 5 Reset Button
- 6 Power LED
- 7 Audio Input / Output & Digital Input / Output
- 8 DC Iris Port

DIMENSION DIAGRAM



Unit: mm [inch]

ACCESSORY OPTIONS

Power Supply

PPBX-0002		Universal Power Adapter, 100~240V, 4 different connectors included
-----------	--	--

Outdoor Housing & Bracket

PMAX-0200		IP66, with heater and fan powered by 110V AC, -30°C ~ 50°C (-22°F ~ 122°F), requires housing bracket
PMAX-0201		IP66, with heater and fan powered by 220V AC, -30°C ~ 50°C (-22°F ~ 122°F), requires housing bracket
PMAX-0202		IP66, -10°C ~ 50°C (14°F ~ 122°F), requires housing bracket
PMAX-1106		Plastic, Bracket for Indoor Box Cameras (for A2x, D2x, E2x)

Popular Mounting Solutions

Corner	PMAX-0205 PMAX-0508 PMAX-0704	
Pole	PMAX-0202 PMAX-1106 PMAX-0503	

* For more mounting solutions, please refer to Project Planner on www.acti.com

PRODUCT SPECIFICATION**E217****• Device**

Device Type	Box Camera
Image Sensor	Progressive Scan CMOS
Sensor Size	1/2.8"
Effective Pixels	1944 (H) x 1224 (V) (2.38 MP)
Horizontal Resolution	1100 TVL
Day / Night	Yes
Low Light Sensitivity	Superior
Minimum Illumination	Color: 0.1 lux at F2.0 (30 IRE, 2400°K); B/W: 0.05 lux at F2.0 (30 IRE, 2400°K)
Color to B/W Switch	ISP based switch; Configurable
Mechanical IR Cut Filter	Yes
IR Sensitivity Range	700 - 1100 nm
IR LED	No
Electronic Shutter	1/5 ~ 1/2,000 sec (manual mode); 1/5 ~ 1/10,000 sec (auto mode)
S/N Ratio	52 dB

• Lens

Focal Length / Aperture	Fixed focal, f2.93mm / F2.0
Iris	Fixed iris
Focus	Manual focus
Lens Mount	CS mount (interchangeable lens)
Horizontal Viewing Angle	101.3°

• Video

Compression	H.264 (Baseline/ Main/ High profile), MJPEG
Max. Frame Rate vs. Resolution	60 fps at 1920 x 1080; 60 fps at 1280 x 720; 30 fps at 640 x 480; 30 fps at 320 x 240
Multi-Streaming	Simultaneous triple streams based on video configurations
Bit Rate	128 Kbps - 12 Mbps (per stream)
Bit Rate Mode	Constant, Variable
Image Enhancement	Extreme WDR (145 dB); White balance: automatic, hold, and manual; Brightness; Contrast; Sharpness (auto); Auto gain control; 2D+3D digital noise reduction; Flickerless; Digital image stabilizer
Privacy Mask	4 configurable regions
Text Overlay	User defined text on video
Image Orientation	Image flip, mirror and rotation
Built-in Analytics	Face Detection; Object Based Motion Detection; Tamper; Line Crossing; Enter Area; Missing Object; Unattended Object; Loitering

• Audio

Compression	8kHz, Mono, PCM, 16 bit encoding; G. 711
Audio-In	Terminal Block
Audio-Out	Terminal block

• Network

Protocol & Service	TCP, UDP, HTTP, HTTPS, DHCP, PPPoE, RTP, RTSP, IPv6, DNS, DDNS, NTP, ICMP, ARP, IGMP, SMTP, FTP, UPnP, SNMP, Bonjour
Ethernet Port	1, Ethernet (10/100 Base-T), RJ-45 connector
Security	IP address filtering; HTTPS encryption; Password protected user levels; Anonymous login; IEEE 802.1X network access control

• Alarm

Alarm Trigger	Video motion detection (10 regions); External device through digital input, Sound detection; Intelligent event detection
Alarm Response	Notify control center; Change camera settings; Command other devices; E-mail notification with snapshots; Push notification to mobile device; Save video to local storage; Upload video to NVR server; Upload video or snapshot to FTP server; Activate external device through digital output

• Interface

DC Iris Connector	External connector for DC iris lens
Digital Input	1, Terminal block
Digital Output	1, Terminal block
Serial Port	1, RS-422/RS-485, Terminal block
Local Storage	MicroSDHC memory card slot (card not included)

• General

Power Source / Consumption	PoE Class 2 (IEEE802.3af) / 7W
Weight	425 g (0.9327 lb)
Dimensions (W x H x D)	142mm x 67mm x 65mm (5.6" x 2.6" x 2.6")
Environmental Casing	Optional housing (IP66 rated)
Mount Type	Wall, Ceiling, Corner, Pole
Starting Temperature	-10°C ~ 50°C (14°F ~ 122°F)
Operating Temperature	-10°C ~ 50°C (14°F ~ 122°F)
Operating Humidity	10% ~ 85% RH
Approvals	CE (EN 55022 Class B, EN 55024), FCC (Part15 Subpart B Class B), UL (for optional PoE injector)

• Integration

Unified Solution	Fully compatible with ACTI software
ISV Integration	Software Development Kit (SDK) available, ONVIF compliant
Firmware Access Browser	Microsoft Internet Explorer 8.0 or newer (full functionality) Safari with QuickTime installed, and other browsers with VLC installed (partial functionality)
Auto Firmware Upgrade	Yes
GPS Position	Manual Setting

* All specifications are subject to change without notice.

* All brand names and registered trademarks are the property of their respective owners.

www.acti.com