

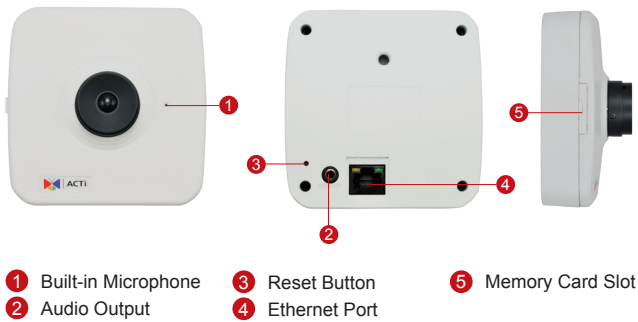
E12A

3MP Cube with Basic WDR, Fixed Lens

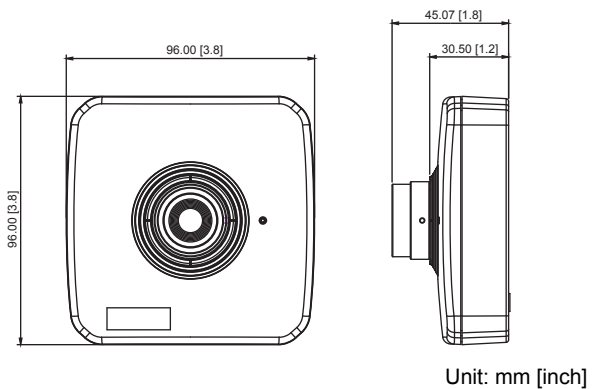


- 3 Megapixel with 1080p
- Fixed Lens with f2.8mm / F2.0
- Basic WDR (74 dB)
- 30 fps at 1920 x 1080
- Wide Angle

PHOTO INDICATION



DIMENSION DIAGRAM



ACCESSORY OPTIONS

Lens

PLEN-0101



Fixed focal f4.2mm, fixed iris F1.8, manual focus, D/N, CS mount lens, 62°

PRODUCT SPECIFICATION**E12A****• Device**

| | |
|--------------------------------|---|
| Device Type | Cube Camera |
| Image Sensor | Progressive Scan CMOS |
| Sensor Size | 1/3.2" |
| Effective Pixels | 2592 (H) x 1944 (V) (5.04 MP) |
| Day / Night | No |
| Superior Low Light Sensitivity | No |
| Minimum Illumination | Color: 0.1 lux at F2.0 (30 IRE, 2400 °K) |
| Mechanical IR Cut Filter | No |
| IR Sensitivity Range | No |
| Electronic Shutter | 1/5 ~ 1/2,000 sec (manual mode); 1/5 ~ 1/10,000 sec (auto mode) |
| TV Lines | 1350 |
| S/N Ratio | 52 dB |

• Lens

| | |
|--------------------------|---------------------------------|
| Focal Length / Aperture | Fixed focal, f2.8 mm / F2.0 |
| Iris | Fixed iris |
| Focus | Manual focus |
| Lens Mount | CS mount (interchangeable lens) |
| Horizontal Viewing Angle | 92° |

• Video

| | |
|--------------------------------|---|
| Compression | H.264 HP, MJPEG |
| Max. Frame Rate vs. Resolution | 15 fps at 2048 x 1536; 30 fps at 1920 x 1080; 30 fps at 1280 x 720; 30 fps at 800 x 600; 30 fps at 640 x 480; 15 fps 320 x 240 |
| Multi-Streaming | Simultaneous dual streams based on two configurations |
| Bit Rate | 28 Kbps - 6 Mbps (per stream) |
| Bit Rate Mode | Constant, Variable |
| Image Enhancement | Basic WDR (74 dB); White balance: automatic, hold, and manual; Brightness; Contrast; Sharpness (auto); Auto gain control; Digital noise reduction; Flickerless |
| Privacy Mask | 4 configurable regions |
| Text Overlay | User defined text on video |
| Image Orientation | Image flip and mirror |

• Audio

| | |
|-------------|---|
| Compression | 8kHz, Mono, PCM, 16 bit encoding; G.711 |
| Audio-In | Built-in Microphone |
| Audio-Out | 3.5mm Phone Jack |

• Network

| | |
|--------------------|---|
| Protocol & Service | TCP, UDP, HTTP, HTTPS, DHCP, PPPoE, RTP, RTSP, IPv4, IPv6, DNS, DDNS, NTP, ICMP, ARP, IGMP, SMTP, FTP, UPnP, SNMP, Bonjour |
| Ethernet Port | 1, Ethernet (10/100 Base-T), RJ-45 connector |
| Security | IP address filtering; HTTPs encryption; Password protected user levels; Anonymous login; IEEE802.1X network access control |

• Alarm

| | |
|----------------|--|
| Alarm Trigger | Video motion detection (3 regions) |
| Alarm Response | Notify control center; Change camera settings; Command other devices; E-mail notification with snapshots; Save video or snapshot to local storage; Upload video or snapshot to FTP server |

• Interface

| | |
|---------------|--|
| Local Storage | MicroSDHC/MicroSDXC memory card slot (card not included) |
|---------------|--|

• General

| | |
|----------------------------|---|
| Power Source / Consumption | PoE Class 2 (IEEE802.3af) / 3.456 W |
| Weight | 241 g (0.53 lb) |
| Dimensions (W x H x D) | 96mm x 96mm x 45mm (3.8" x 3.8" x 1.8") |
| Bundled Accessories | Bracket |
| Mount Type | Wall, Ceiling |
| Starting Temperature | -10°C ~ 45°C (14°F ~ 113°F) |
| Operating Temperature | -10°C ~ 45°C (14°F ~ 113°F) |
| Operating Humidity | 10% ~ 85% RH |
| Approvals | CE (EN 55022 Class B, EN 55024), FCC (Part15 Subpart B Class B) |

• Integration

| | |
|-------------------------|---|
| Unified Solution | Fully compatible with ACTi software |
| ISV Integration | Software Development Kit (SDK) available; ONVIF compliant |
| Firmware Access Browser | Microsoft Internet Explorer 8.0 or newer (full functionality) Safari with QuickTime installed, and other browsers with VLC installed (partial functionality) |