

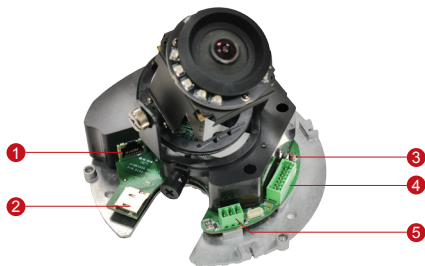
B51

5MP Indoor Dome with D/N, Adaptive IR, Basic WDR, Fixed Lens



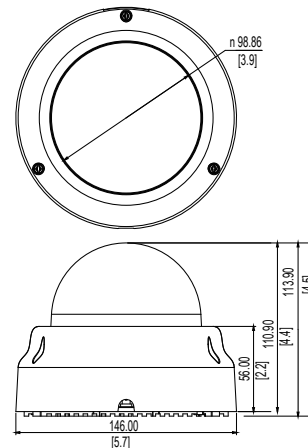
- 5 Megapixel with 1080p
- Day & Night with Adaptive IR LED
- Fixed Lens with f1.9mm / F2.8
- Basic WDR (74 dB)
- 30 fps at 1920 x 1080
- Super Wide Angle
- Vandal Resistant (IK09)

PHOTO INDICATION



- 1 Ethernet Port
- 2 Memory Card Slot
- 3 Reset Button
- 4 Digital Input / Output
- 5 DC 12V Power Input

DIMENSION DIAGRAM



Unit: mm [inch]

ACCESSORY OPTIONS

Power Supply		
PPOE-0001		IEEE 802.3af PoE Injector for Class 1, 2 or 3 devices, with universal adapter
PPBX-0002		AC 100-240V to DC 12V power adapter with universal connector
Dome Cover		
PDCX-1101		4-inch, smoke, vandal proof

Popular Mounting Solutions	
Surface	Accessories not required
Wall	PMAX-0313
Pendant	PMAX-0101 + PMAX-0103
Corner	PMAX-0313 + PMAX-0402
Pole	PMAX-0313 + PMAX-0503
Flush	PMAX-1003
Gang Box	PMAX-0803

* For more mounting solutions, please refer to Project Planner on www.acti.com

PRODUCT SPECIFICATION**B51****• Device**

Device Type	Indoor Dome Camera
Image Sensor	Progressive Scan CMOS
Sensor Size	1/3.2"
Effective Pixels	2592 (H) x 1944 (V) (5.04 MP)
Day / Night	Yes
Low Light Sensitivity	Standard
Minimum Illumination	Color: 0.1 lux at F2.8 (30 IRE, 2400°K); B/W: 0 lux (IR LED on)
Mechanical IR Cut Filter	Yes
IR Sensitivity Range	700 - 1100nm
IR LED	Adaptive IR LED (Adjustable IR Exposure Compensation) x 10 (850nm)
IR Working Distance	40 m (0 lux, 30 IRE, Gain 255, Auto shutter mode)
Electronic Shutter	1/5 ~ 1/2,000 sec (manual mode); 1/5 ~ 1/10,000 sec (auto mode)
TV Lines	1500
S/N Ratio	52 dB

• Lens

Focal Length / Aperture	Fixed focal, f1.9mm / F2.8
Iris	Fixed iris
Focus	Fixed focus
Lens Mount	Board mount
Horizontal Viewing Angle	129.56° (overview area), 79° (high detail area)
Viewing Angle Adjustment	Pan: 0° ~ 350°; Tilt: 17° ~ 163°; Rotate: 0 ~ 350°

• Video

Compression	H.264 (Baseline / Main / High profile), MJPEG
Max. Frame Rate vs. Resolution	15 fps at 2592 x 1944; 15 fps at 2048 x 1536; 30 fps at 1920 x 1080; 30 fps at 1280 x 720; 30 fps at 800 x 600; 30 fps at 640 x 480; 15 fps at 320 x 240
Multi-Streaming	Simultaneous dual streams based on two configurations
Bit Rate	28 Kbps - 6 Mbps (per stream)
Bit Rate Mode	Constant, Variable
Image Enhancement	Basic WDR (74 dB); White balance: automatic, hold, and manual; Brightness; Contrast; Sharpness (auto); Auto gain control; Digital noise reduction; Flickerless
Privacy Mask	4 configurable regions
Text Overlay	User defined text on video
Image Orientation	Image flip and mirror

• Audio

Compression	8kHz, Mono, PCM, 16 bit encoding, G.711
Audio-In	Terminal block
Audio-Out	Terminal block

• Network

Protocol & Service	TCP, UDP, HTTP, HTTPS, DHCP, PPPoE, RTP, RTSP, IPv4, IPv6, DNS, DDNS, NTP, ICMP, ARP, IGMP, SMTP, FTP, UPnP, SNMP, Bonjour
Ethernet Port	1, Ethernet (10/100 Base-T), RJ-45 connector
Security	IP address filtering; HTTPs encryption; Password protected user levels; Anonymous login; IEEE802.1X network access control

• Alarm

Alarm Trigger	Video motion detection (3 regions); External device through digital input; Sound detection
Alarm Response	Notify control Center; Change camera settings; Command other devices; E-mail notification with snapshots; Save video or snapshot to local storage; Upload video, Snapshot to FTP server; Activate external device through digital output

• Interface

Digital Input	1, Terminal block
Digital Output	1, Terminal block
Local Storage	MicroSDHC/MicroSDXC memory card slot (card not included)

• General

Power Source / Consumption	PoE Class 2 (IEEE802.3af) / 5.6 W DC 12V (adapter not included) / 3.96 W
Weight	507 g (1.118 lb)
Dimensions (Ø x H)	146 mm x 113.9 mm (5.7" x 4.5")
Environmental Casing	Vandal resistant (IK09), Transparent dome cover
Mount Type	Surface, Pendant, Wall, Corner, Pole, Flush, Gang box
Starting Temperature	-10 °C ~ 50 °C (14 °F ~ 122 °F)
Operating Temperature	-10 °C ~ 50 °C (14 °F ~ 122 °F)
Operating Humidity	10% ~ 85% RH
Approvals	CE (EN 55022 Class B, EN 55024), FCC (Part15 Subpart B Class B), IK09, UL (for optional PoE injector and power adapter)

• Integration

Unified Solution	Fully compatible with ACTi software
ISV Integration	Software Development Kit (SDK) available; ONVIF compliant
GPS Position	Manual setting
Firmware Access Browser	Microsoft Internet Explorer 8.0 or newer (full functionality) Safari with QuickTime installed, and other browsers with VLC installed (partial functionality)

* All specifications are subject to change without notice.

* All brand names and registered trademarks are the property of their respective owners.

www.acti.com