

1 2 3 4 5

A

B

C

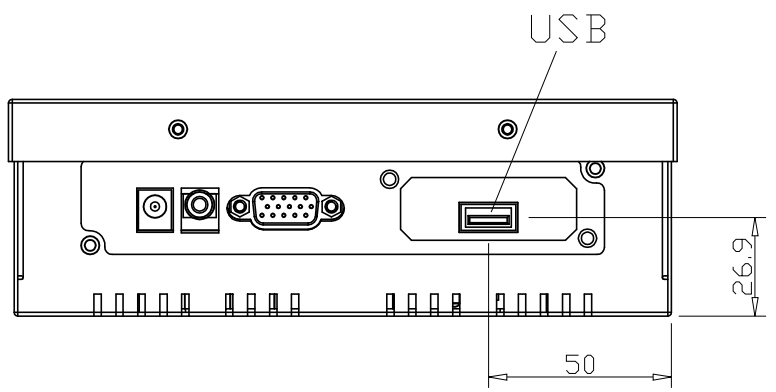
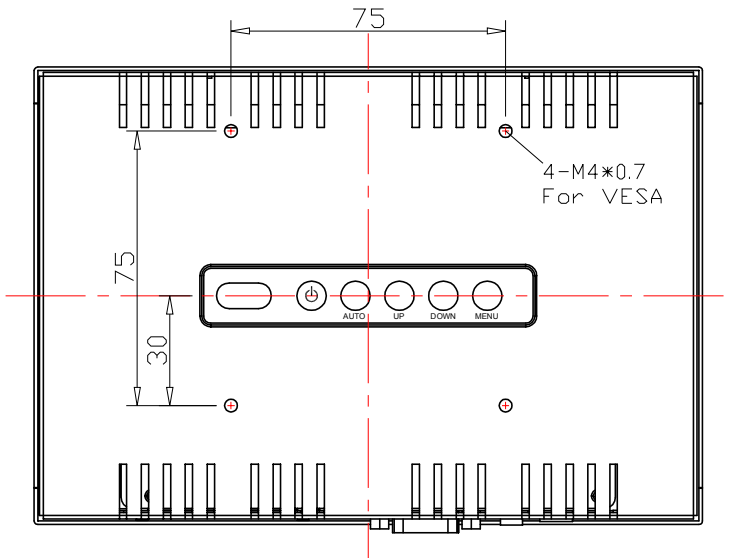
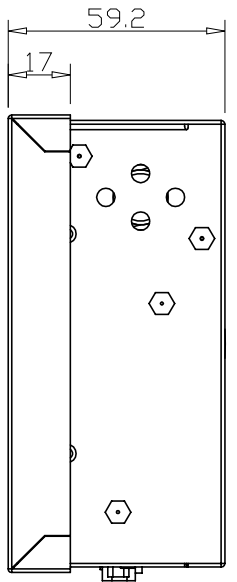
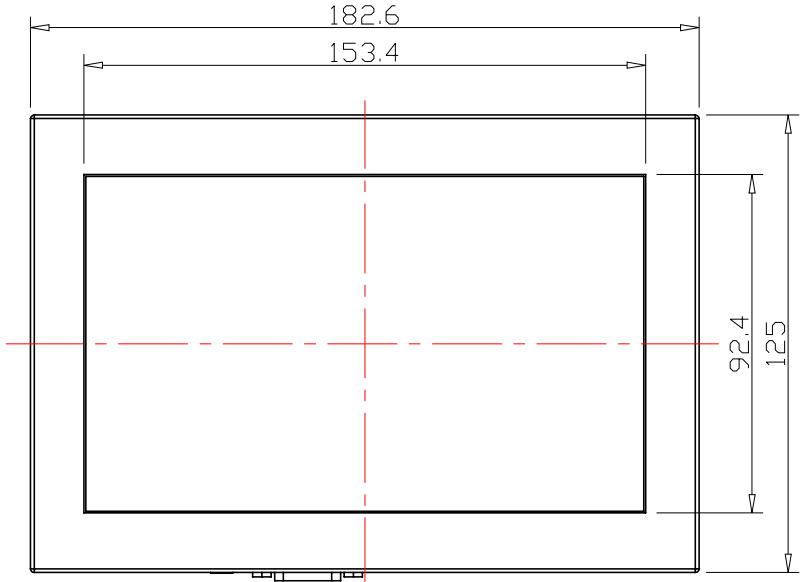
D

A

B

C

D



AD/BOARD		MODEL		DATE		PART NAME		ASSEMBLY			1:1
INVERTER											
KEY PAD										VERSION	MATERIAL
PANEL:		V1									MM

1 2 3 4 5