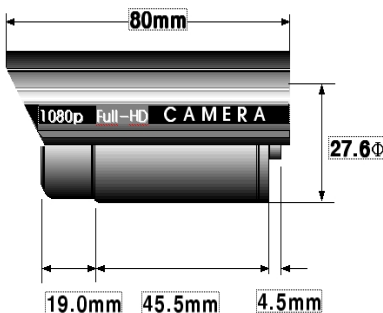


# SAN-H101



## Key Features

- \* 1/3" 2.1 Mega Panasonic progressive Scan CMOS Sensor
- \* Full HD Res. 1920x1080p, 30fps / 1280 x 720p, 60fps
- \* Min. 1 Lux@F1.2 (Color), 0.01 Lux (B/W)
- \* Built-in Board Lens (ICR)
- \* Cable OSD type
- \* DNR3 , Sens-up up to 4x , D-WDR , Smart IR, Defog, OSD
- \* IP66 (Weather Proof)
- \* Option : f=3.7mm pinhole lens



## Technical Specifications

Product	SAN-H101	
<b>VIDEO</b>		
Image Device	1/3" Panasonic Progressive Scan CMOS	
Total Pixels	2,010(H) x 1,108(V), 2.2 M Pixels	
Effective Pixels	1,944(H) x 1,092(V), 2.1 M Pixels	
Scanning System	Progressive Scan	
Synchronization	Internal	
Min. Illumination	Color: 1 Lux (50IRE@F1.2), 0.1 Lux (Sense-up, 4x)	
	BW: 0.08 Lux (50IRE@F1.2), 0.01 Lux (Sense-up, 4x)	
S/N Ratio	50 dB (AGC Off, Weight On)	
SDI Output	HD-SDI	
Video Output	CVBS : 1.0 Vp-p / 75 Ω composite	
<b>LENS</b>		
Focal Length	f=3.7mm board lens (3Mega), F2.0	
Lens Type	Fixed Type	
Mount Type	Board Type	
<b>OPERATIONAL</b>		
On Screen Display	English	
Camera Title	Off / On	
Day & Night	Auto/ External / Color / BW	
BLC	Off / On (2x~4x)	
WDR	Off / On (1x~15x)	
Digital Noise Reduction	DNR3 (Off / Low / Middle / High)	
Sens-up (DSS)	Off / On (2x~4x)	
AGC	0~20 Level Adjustable	
Motion Detection	Off / On (4-Programmable Areas)	
Privacy Masking	Off / On (32 programmable zones with polygonal masking)	
White Balance	AUTO / PUSHING / MANUAL (Kelvin,R-Gain,B-Gain)	
Digital Zoom	Off / On (1x~112x)	
Mirror	Off / On	
Flip (H-Rev)	Off / On	
Brightness	0 ~ 20 Steps	
Color Gain	0 ~ 20 Steps	
Sharpness	0 ~ 10 Steps	
<b>ENVIRONMENTAL</b>		
Operating Temp./Humidity	-10°C ~ +50°C (+14°F ~ +122°F) / Less than 90%RH	
<b>ELECTRICAL</b>		
Input voltage/Current	DC 12VAC	Dual Voltage (24VAC & 12VDC)
Power Consumption	Max.150mA, Max.2W	Max.150mA, Max.4.8W
<b>MECHANICAL</b>		
Color/Material	Aluminum	
Dimension (DxWxH)	27.6 Ø(mm)	
Weight	150 g	
<b>Recommended Cable</b>		
5C-HFBT Cable	75 Ohm, 1GHz - (100ft): 6db	