

1

2

3

4

5

A

A

B

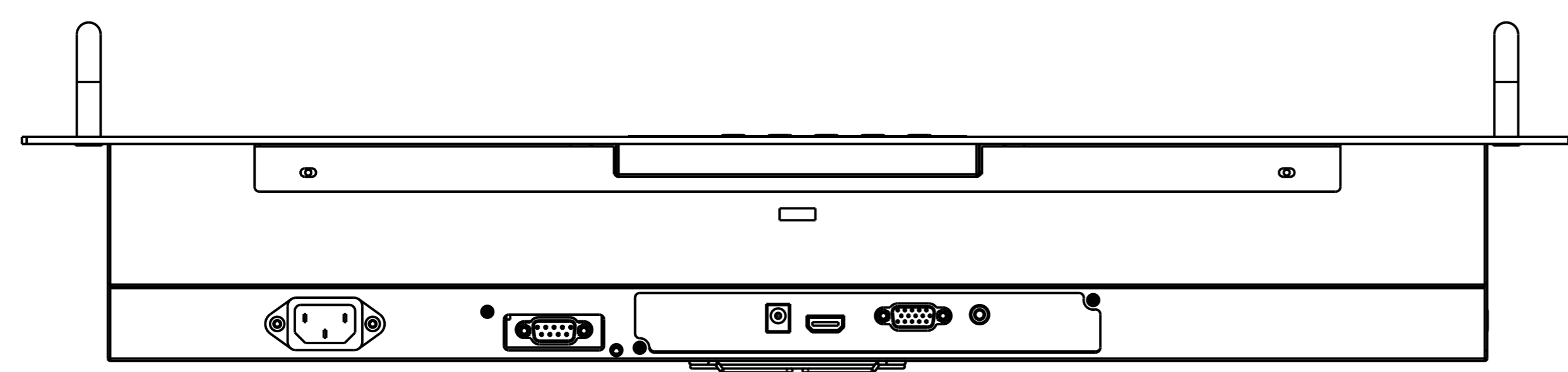
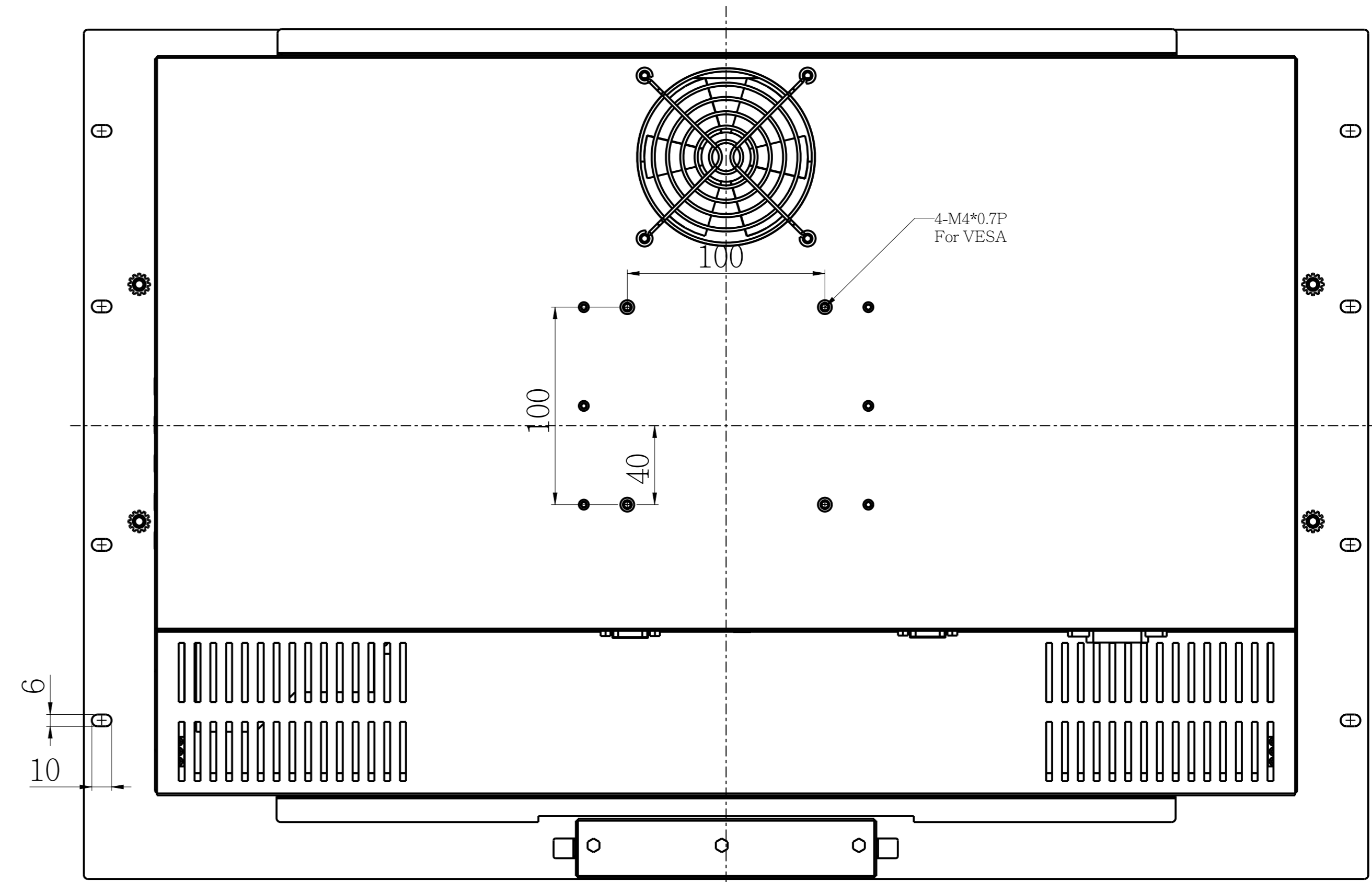
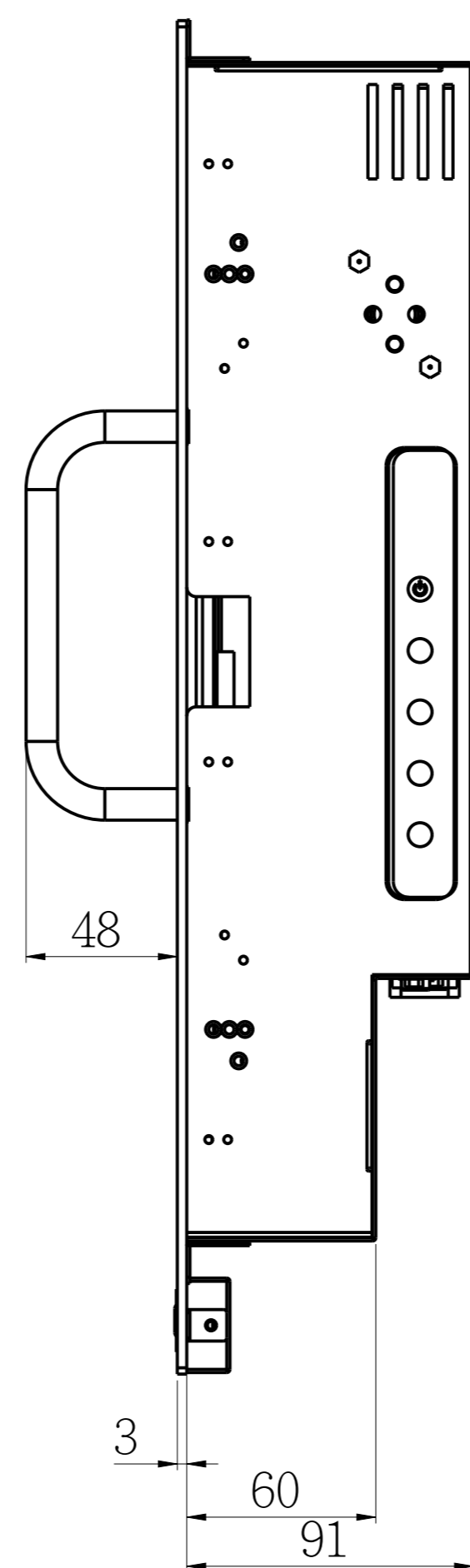
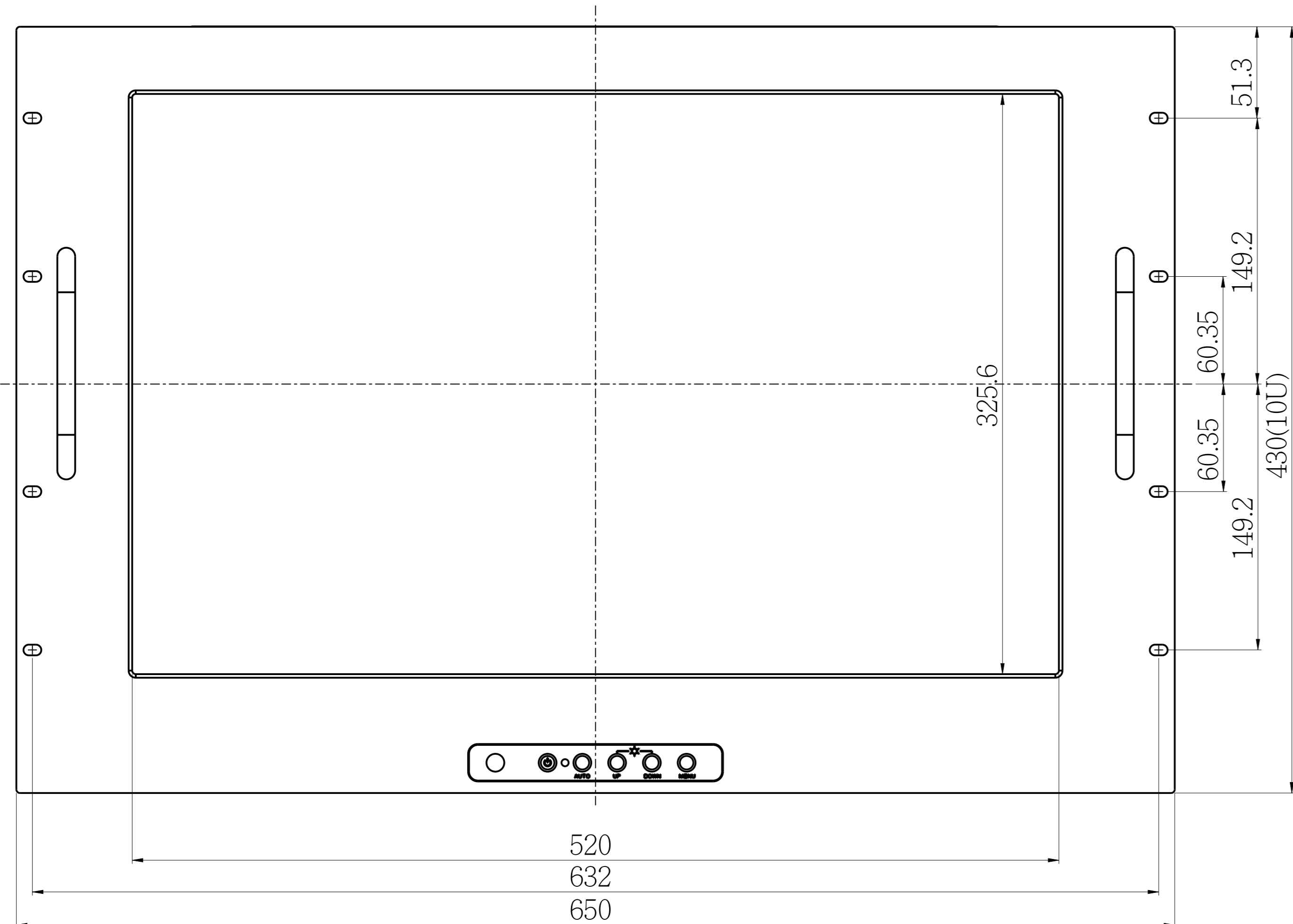
B

C

C

D

D



AD/BOARD		MODEL															
INVERTER		PART NO.					PART NAME		ASSEMBLY								
KEY PAD		MATERIAL		METAL		DATE		2011-Jun-03		APPROVED		DRAWN		Jack		SCALE	0.500
PANEL:																UNIT	MM

1

2

3

4

5