

1 2 3 4 5

A

B

C

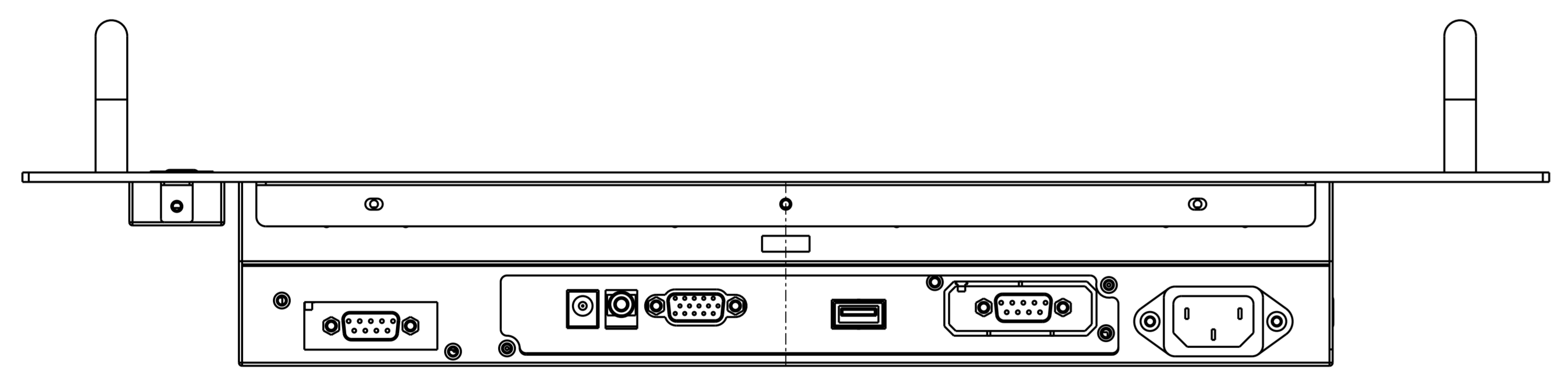
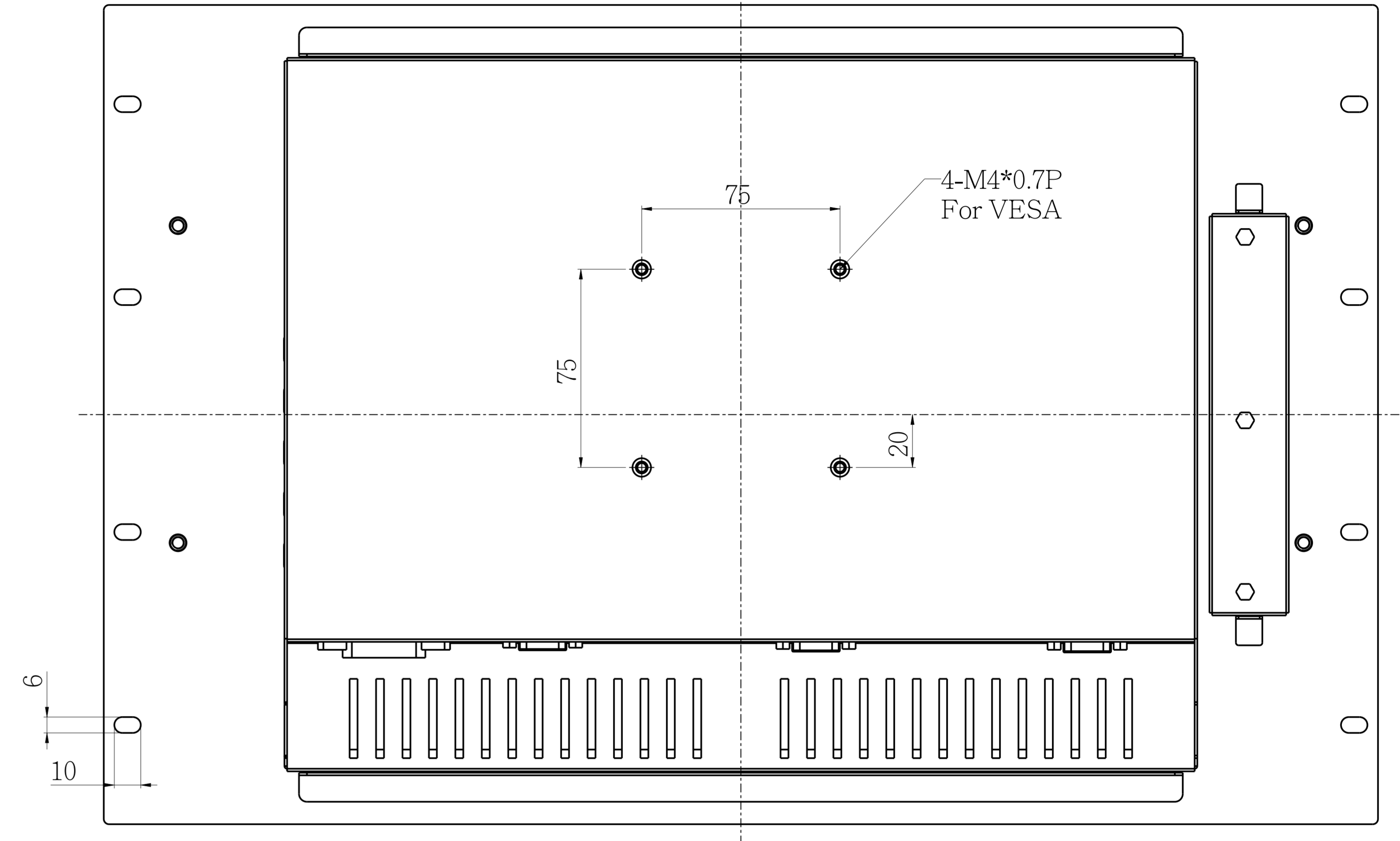
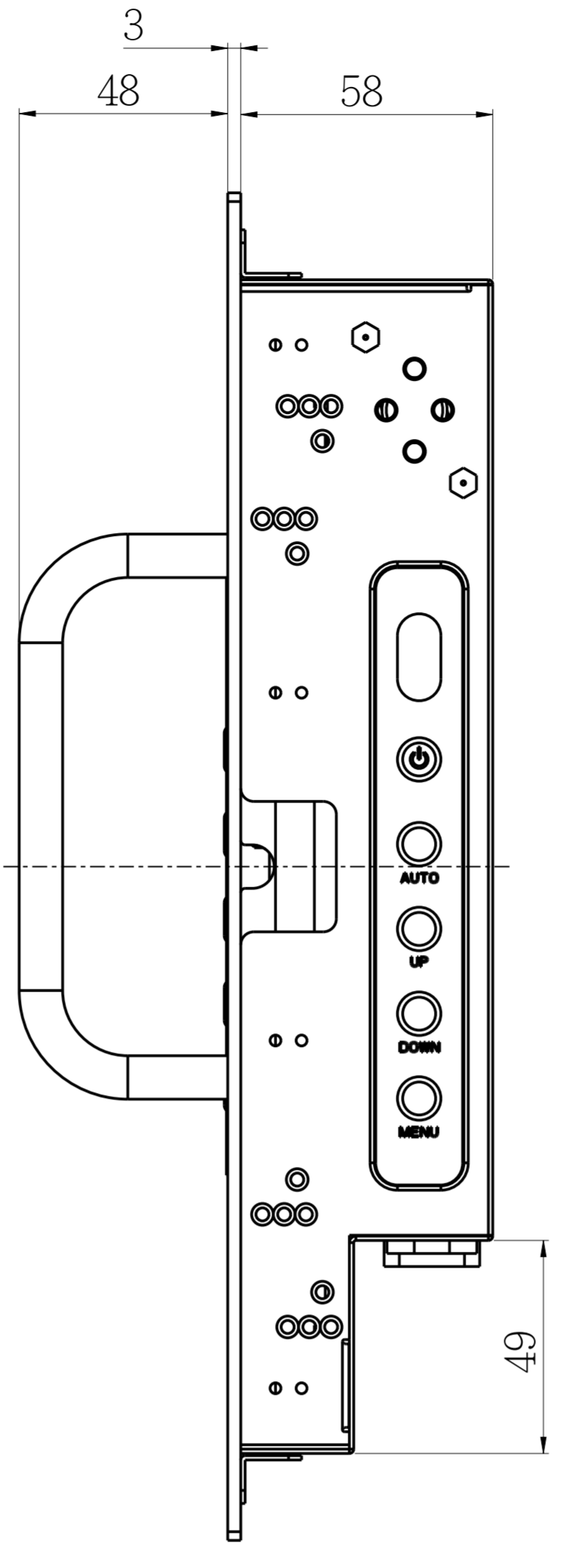
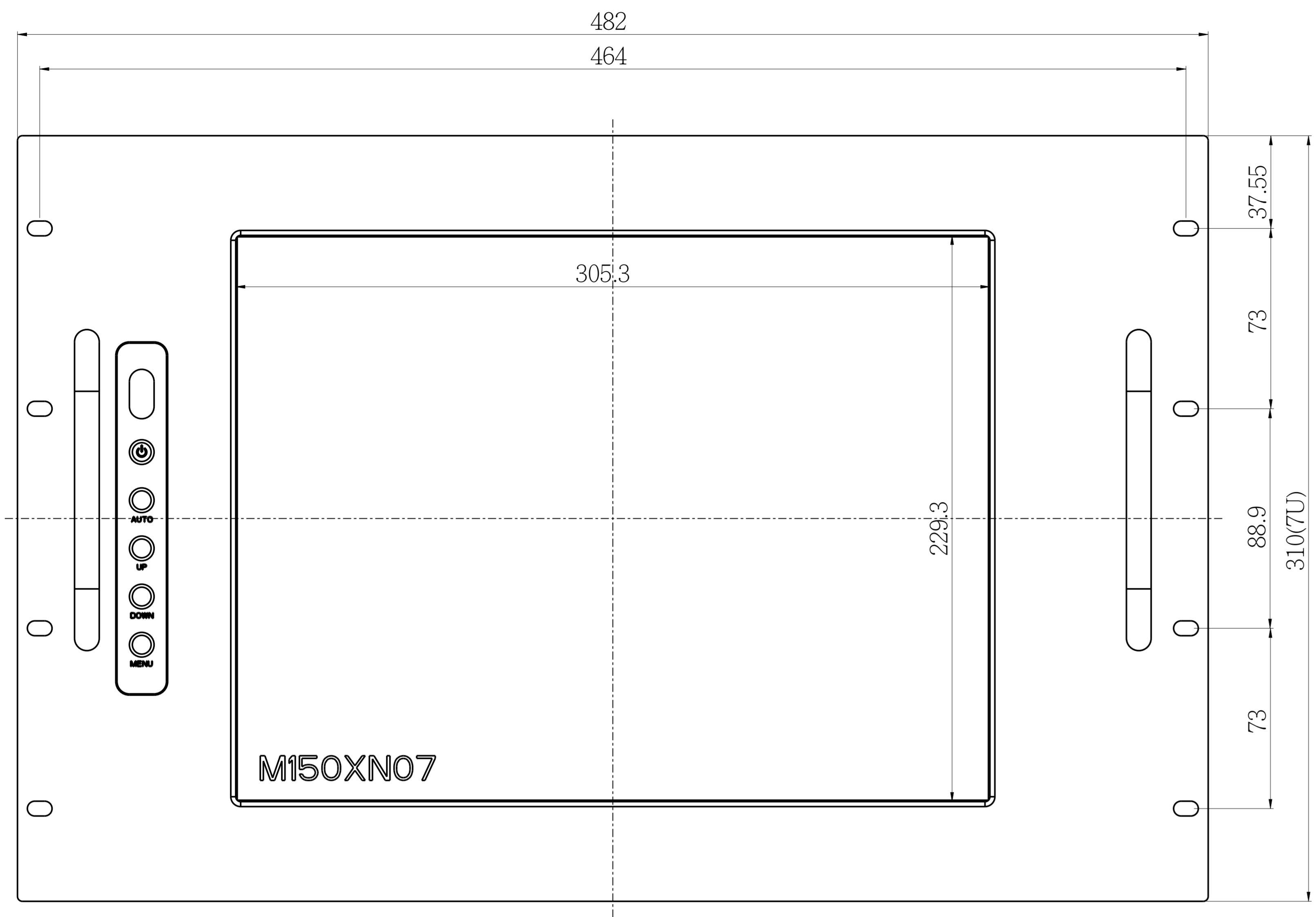
D

A

B

C

D



AD/BOARD											
INVERTER											
KEY PAD											
PANEL:		VERSION		MATERIAL		DATE		APPROVED		DRAWN	
		V1		METAL		2012-Mar-01		Jack		SCALE 1.000	
										UNIT MM	

1 2 3 4 5