

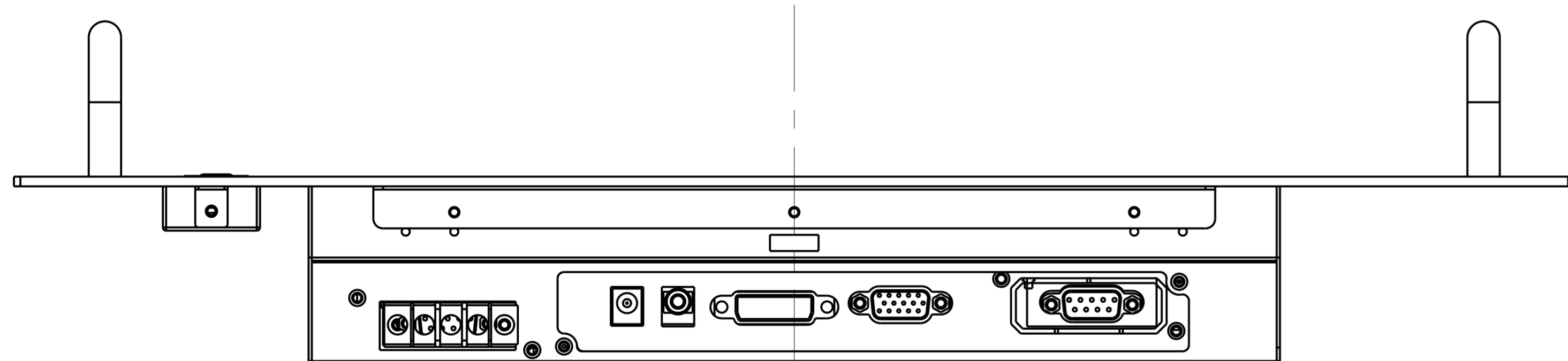
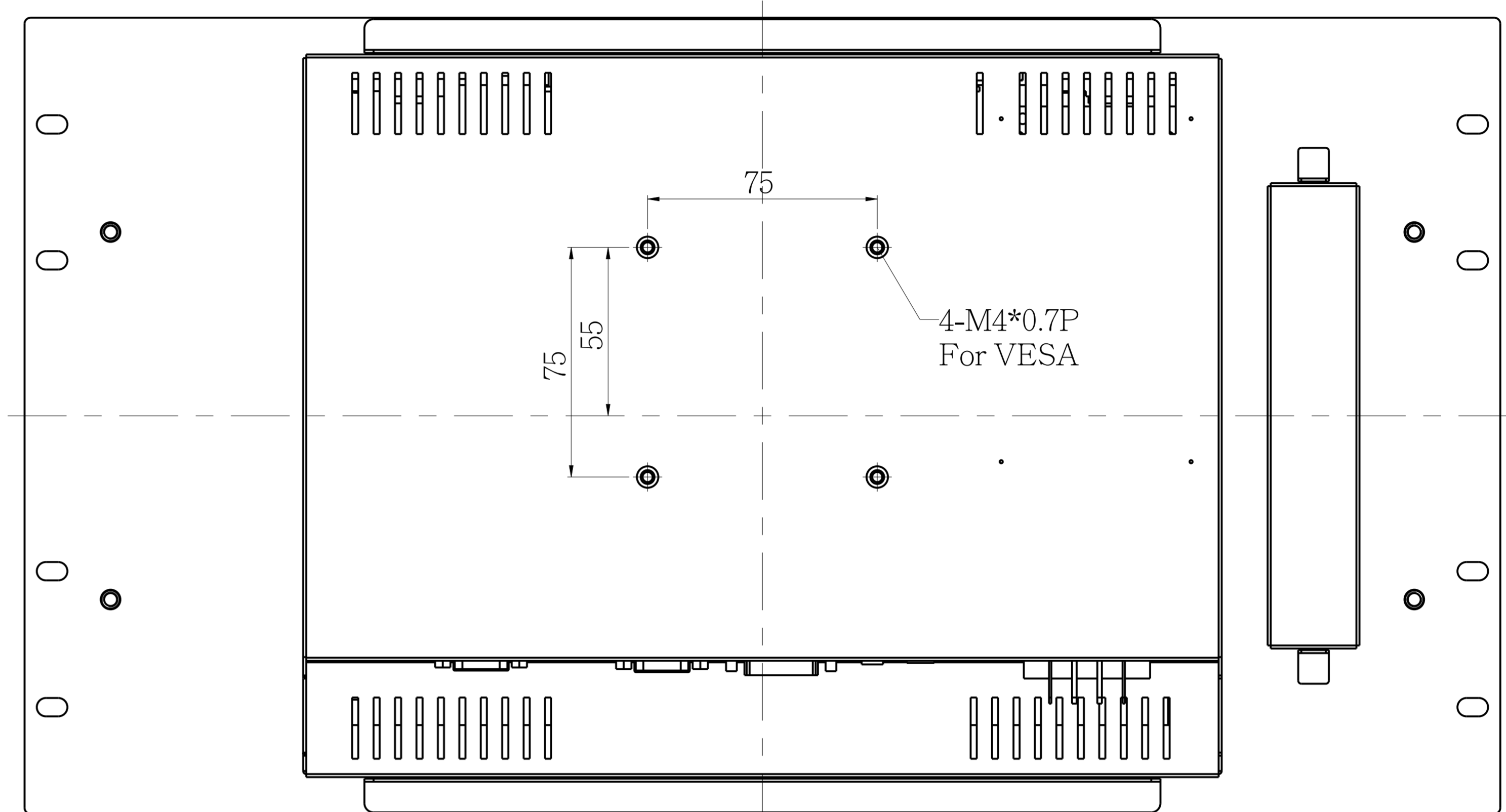
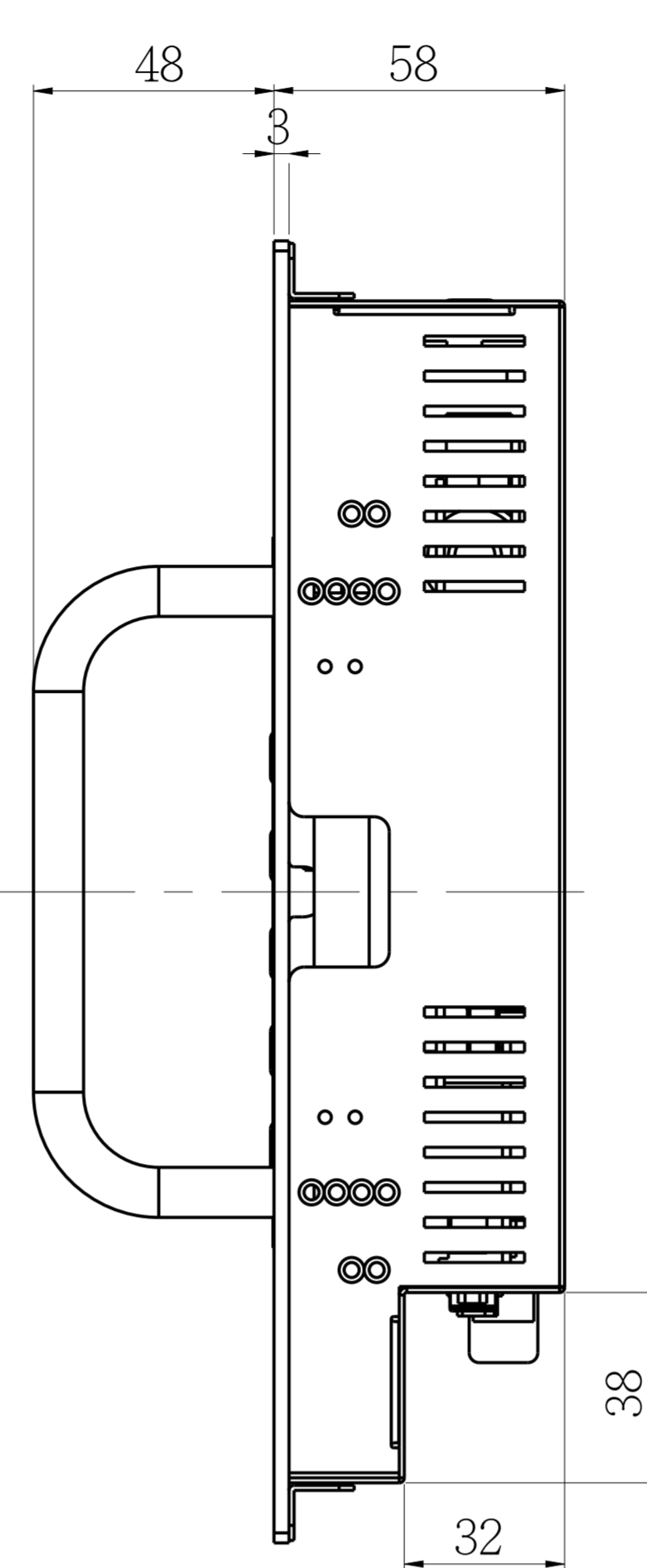
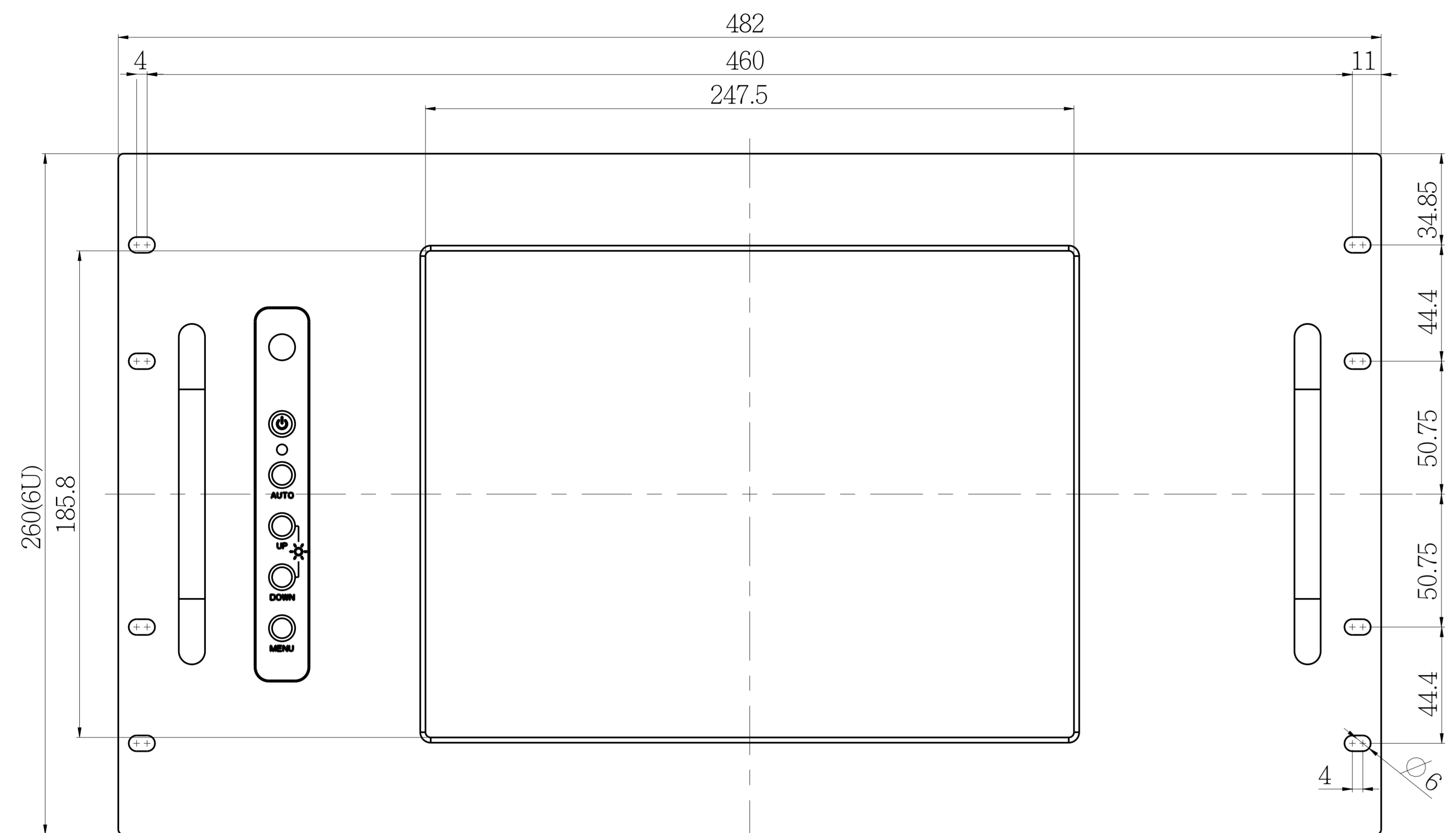
1 2 3 4 5

A A

B B

C C

D D



AD/BOARD											
INVERTER		MODEL									
KEY PAD											
PANEL:		VERSION				PART NAME		ASSEMBLY			
		V1		MATERIAL	METAL	DATE	2012-May-17	APPROVED	DRAWN	Chris	SCALE 0.800
											UNIT MM

1 2 3 4 5