

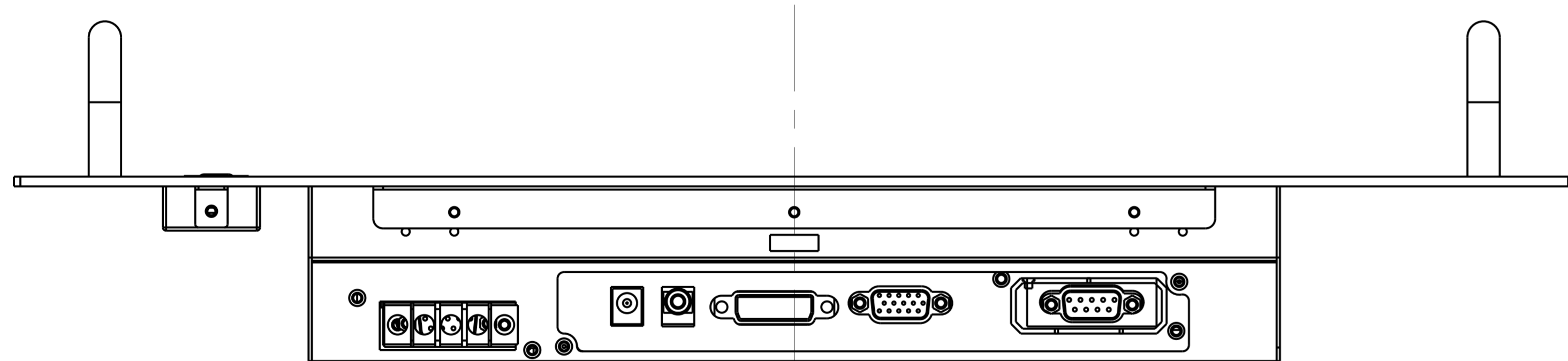
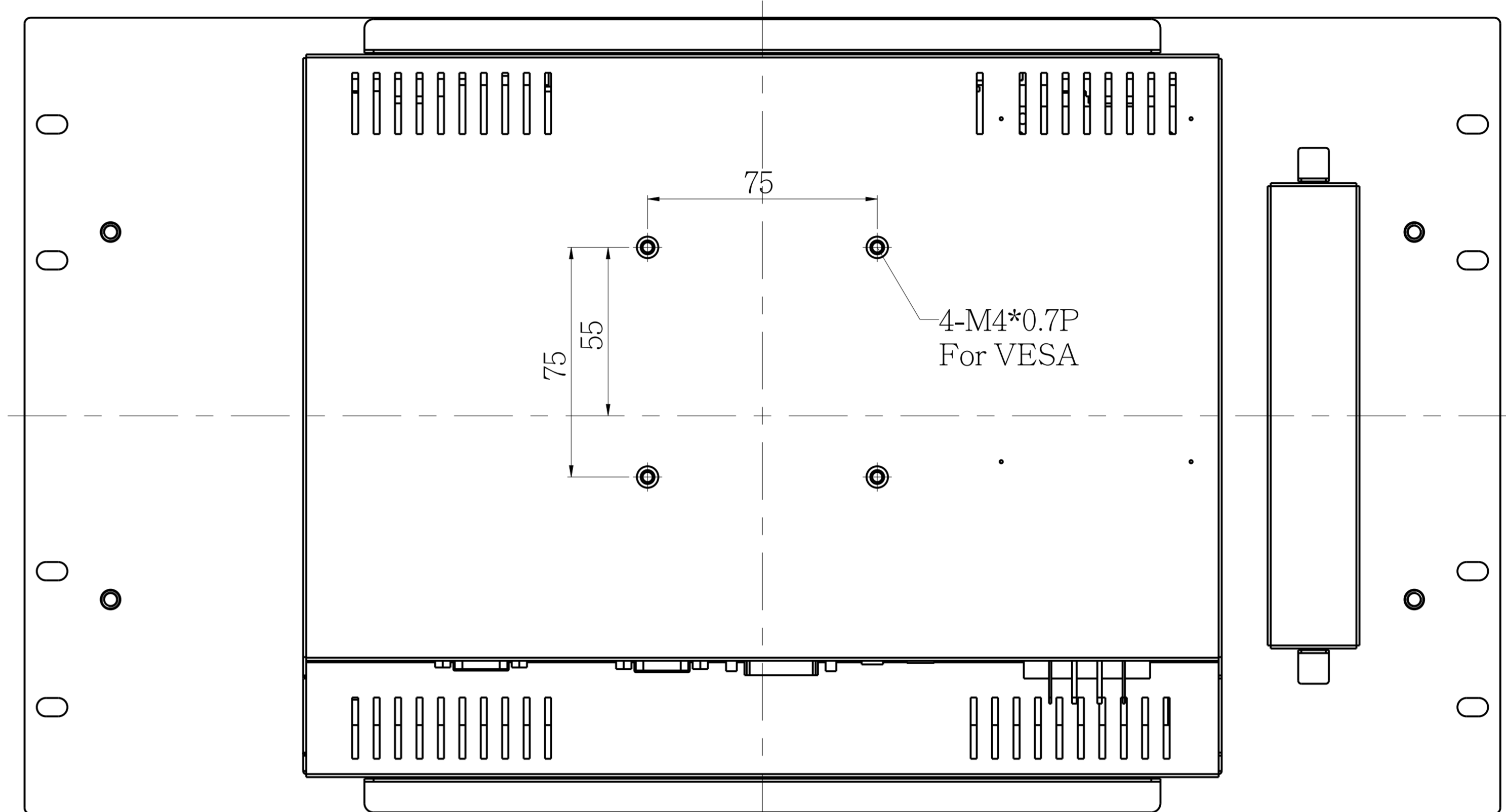
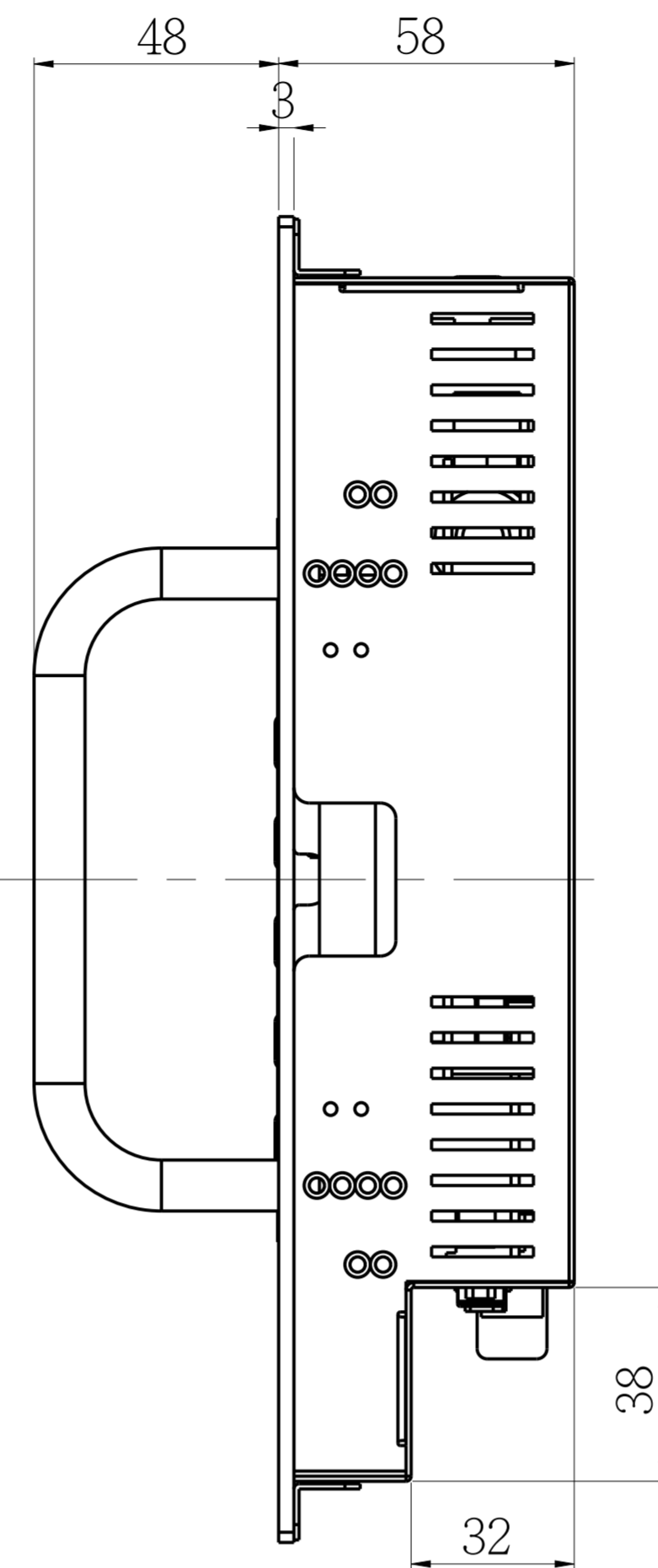
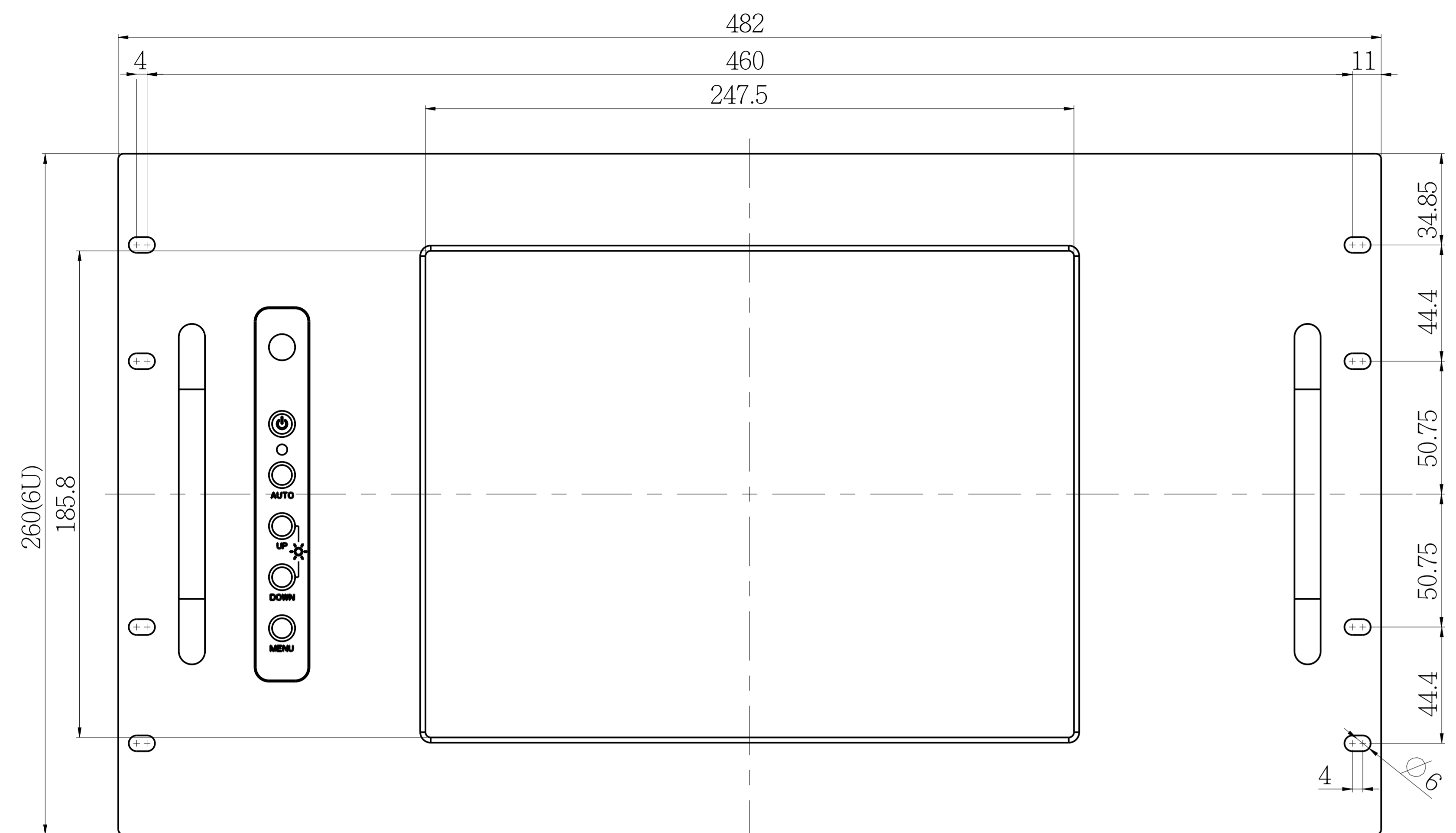
1 2 3 4 5

A A

B B

C C

D D



AD/BOARD											
INVERTER		MODEL									
KEY PAD											
PANEL:		VERSION				PART NAME		ASSEMBLY			
		V1		MATERIAL		METAL		DATE		2012-May-17	
				DATE		2012-May-17		APPROVED		DRAWN	
								Chris		SCALE 0.800	
										UNIT MM	

1 2 3 4 5