

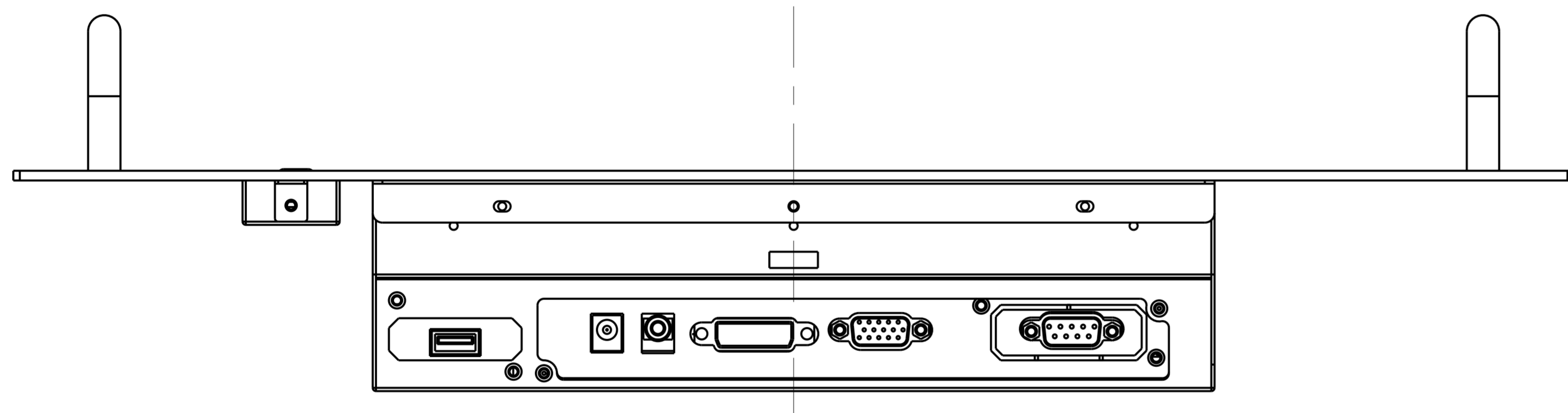
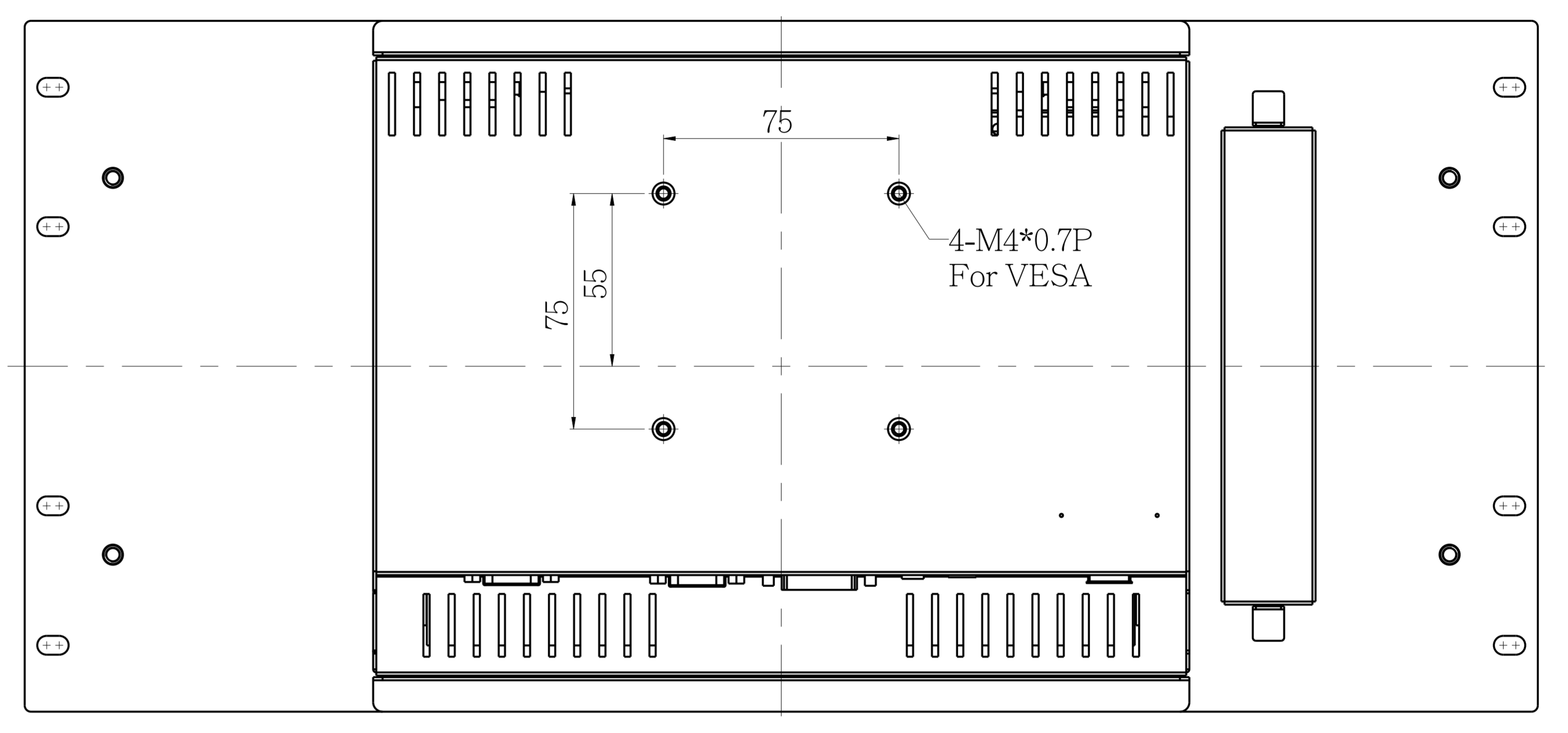
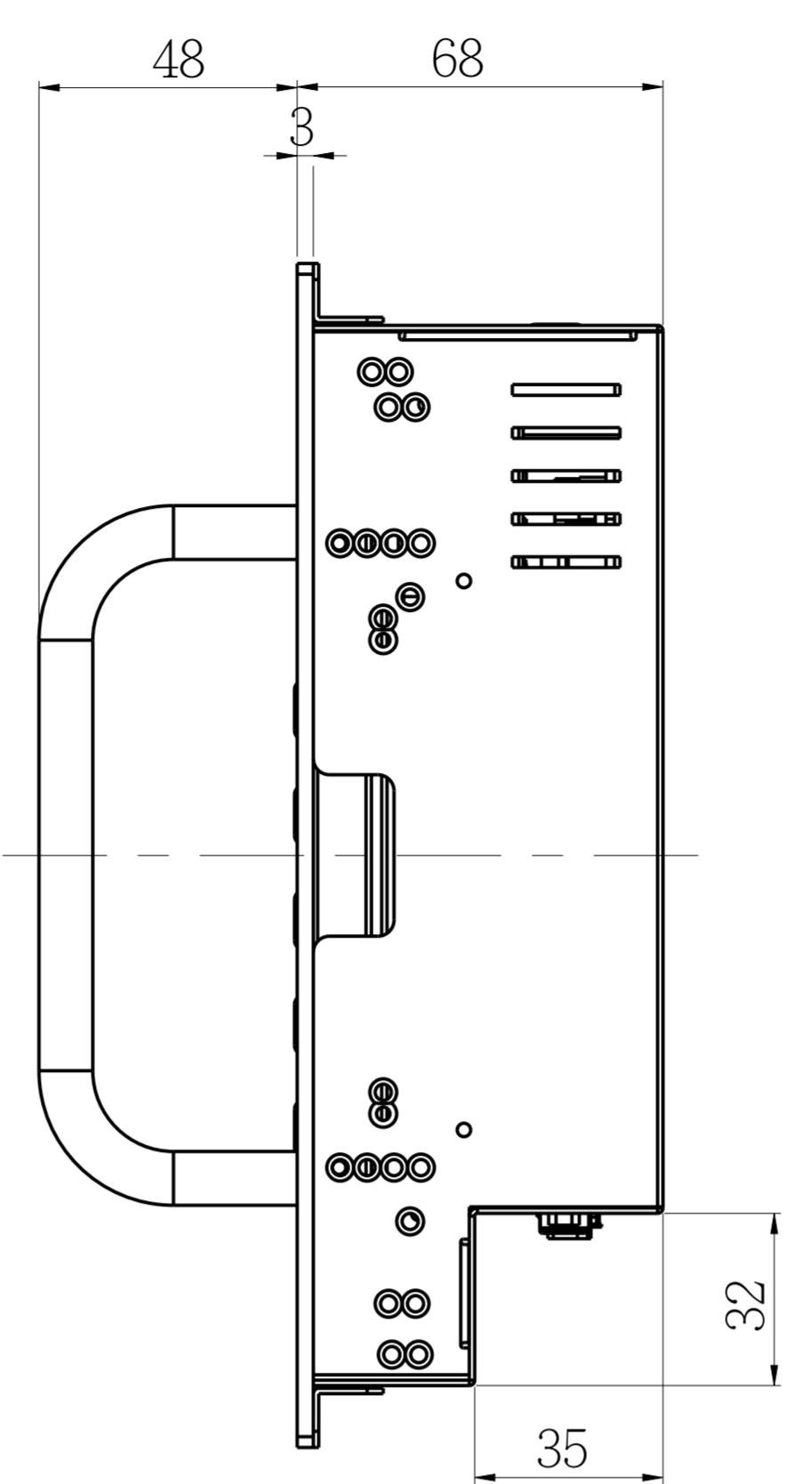
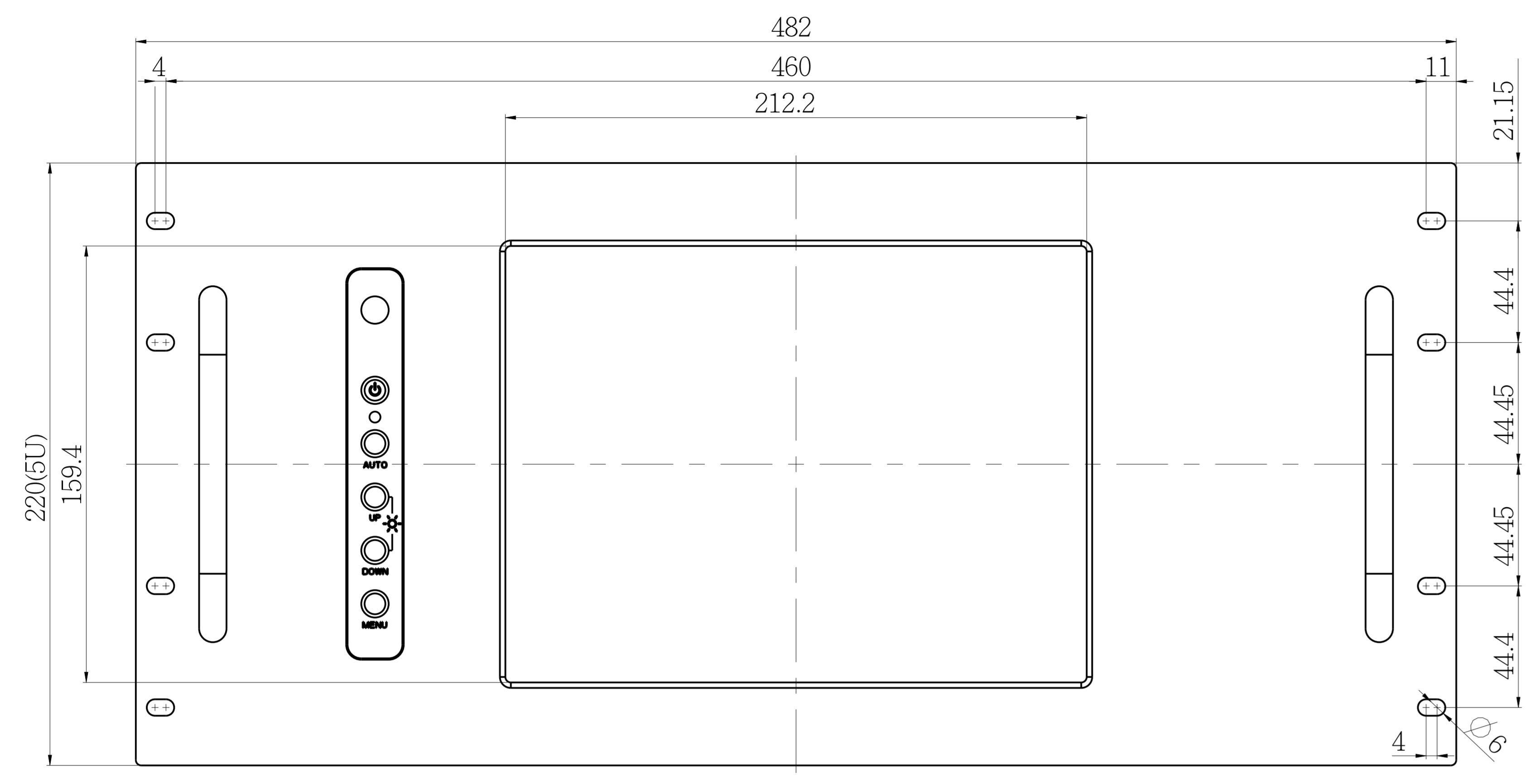
1 2 3 4 5

A A

B B

C C

D D



| | | | | | | | | | | |
|----------|--|---------|----------|-------|-----------|-------------|----------|-------|-------|-------------|
| AD/BOARD | | MODEL | | | PART NAME | | ASSEMBLY | | | |
| INVERTER | | | | | | | | | | |
| KEY PAD | | | | | | | | | | |
| PANEL: | | VERSION | MATERIAL | METAL | DATE | 2012-May-17 | APPROVED | DRAWN | Chris | SCALE 0.800 |
| | | V1 | | | | | | | | UNIT MM |

1 2 3 4 5