

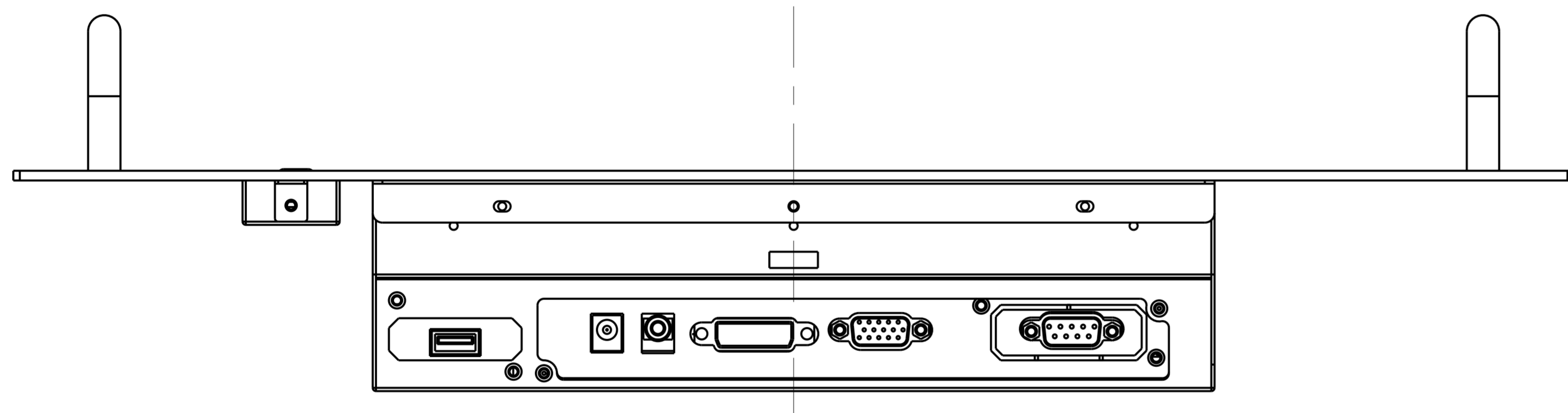
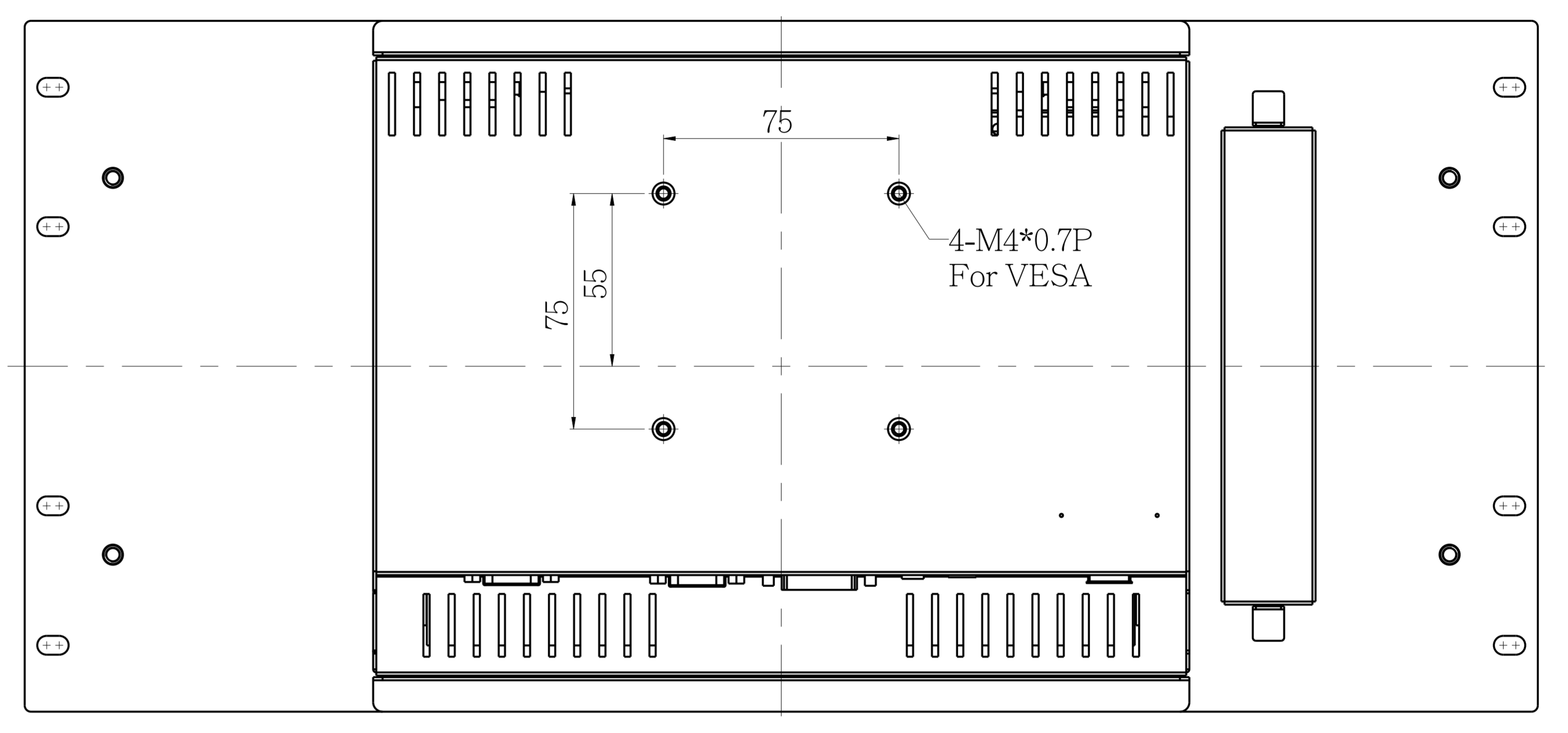
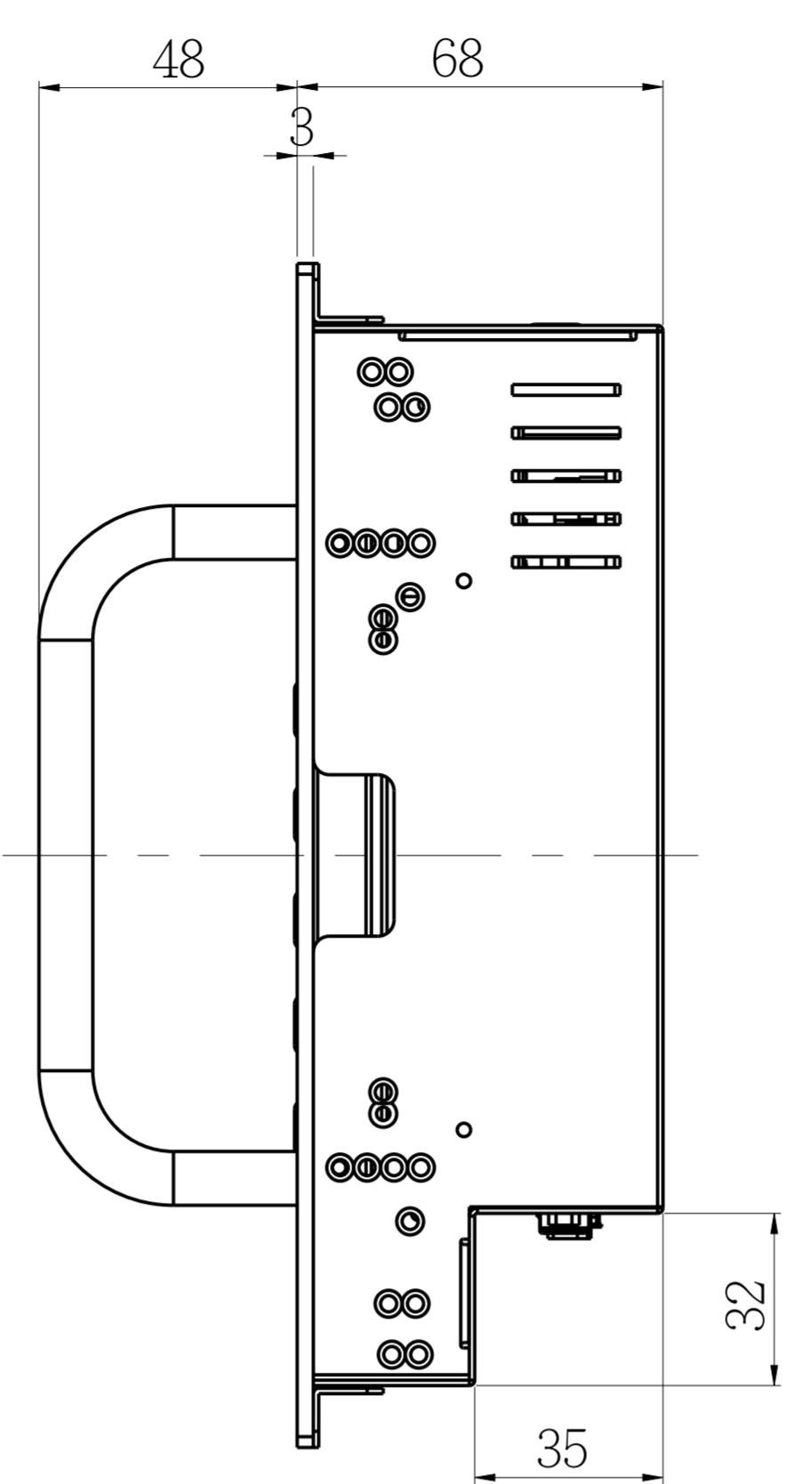
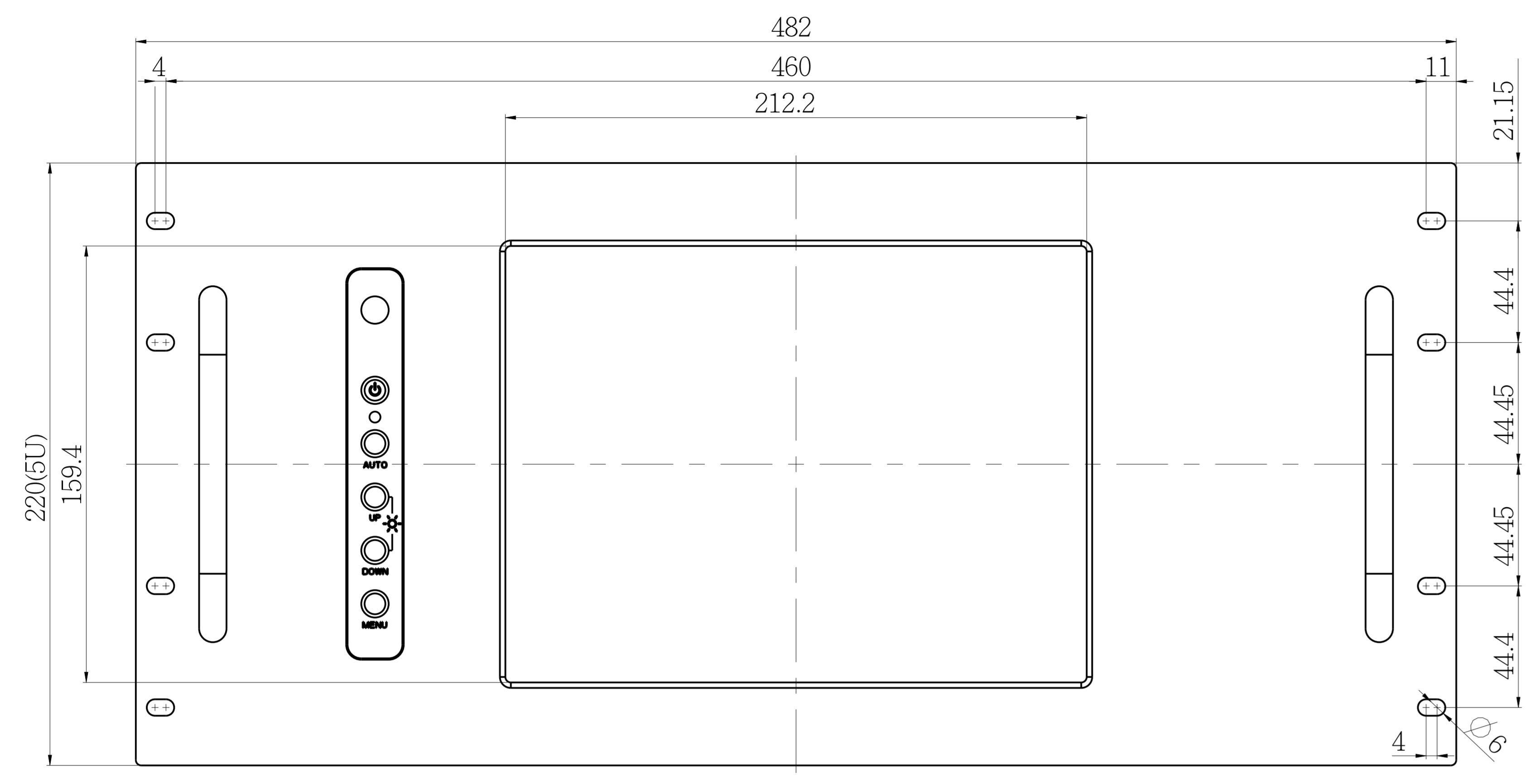
1 2 3 4 5

A A

B B

C C

D D



AD/BOARD		MODEL			PART NAME		ASSEMBLY					
INVERTER											SCALE	0.800
KEY PAD									VERSION		DATE	2012-May-17
PANEL:		V1	MATERIAL	METAL								

1 2 3 4 5