

1 2 3 4 5

A

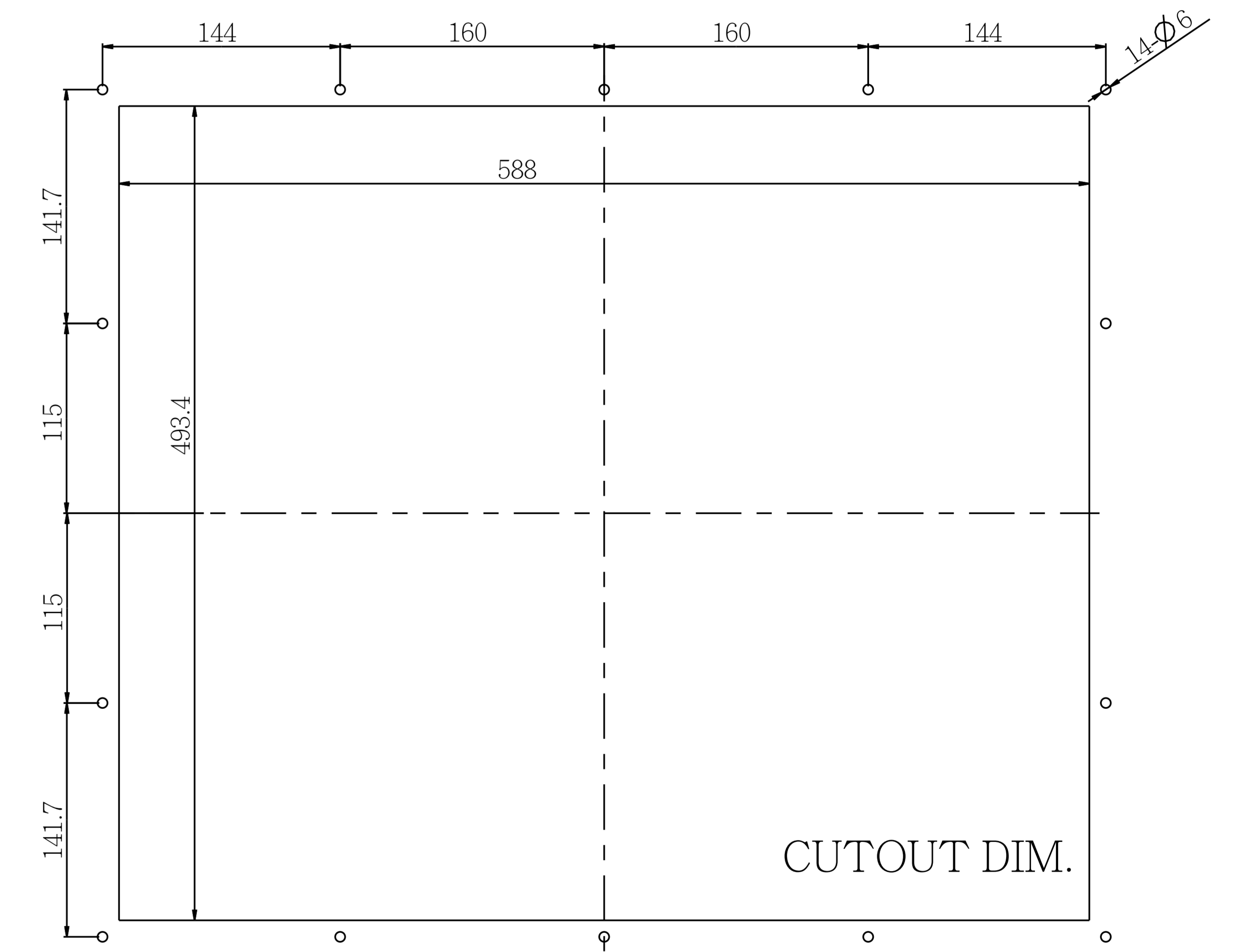
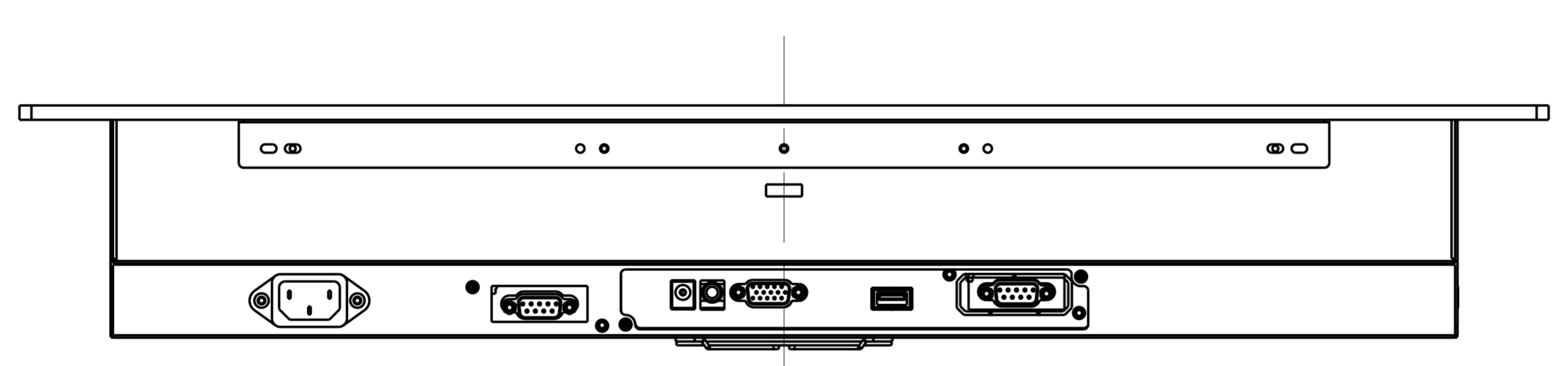
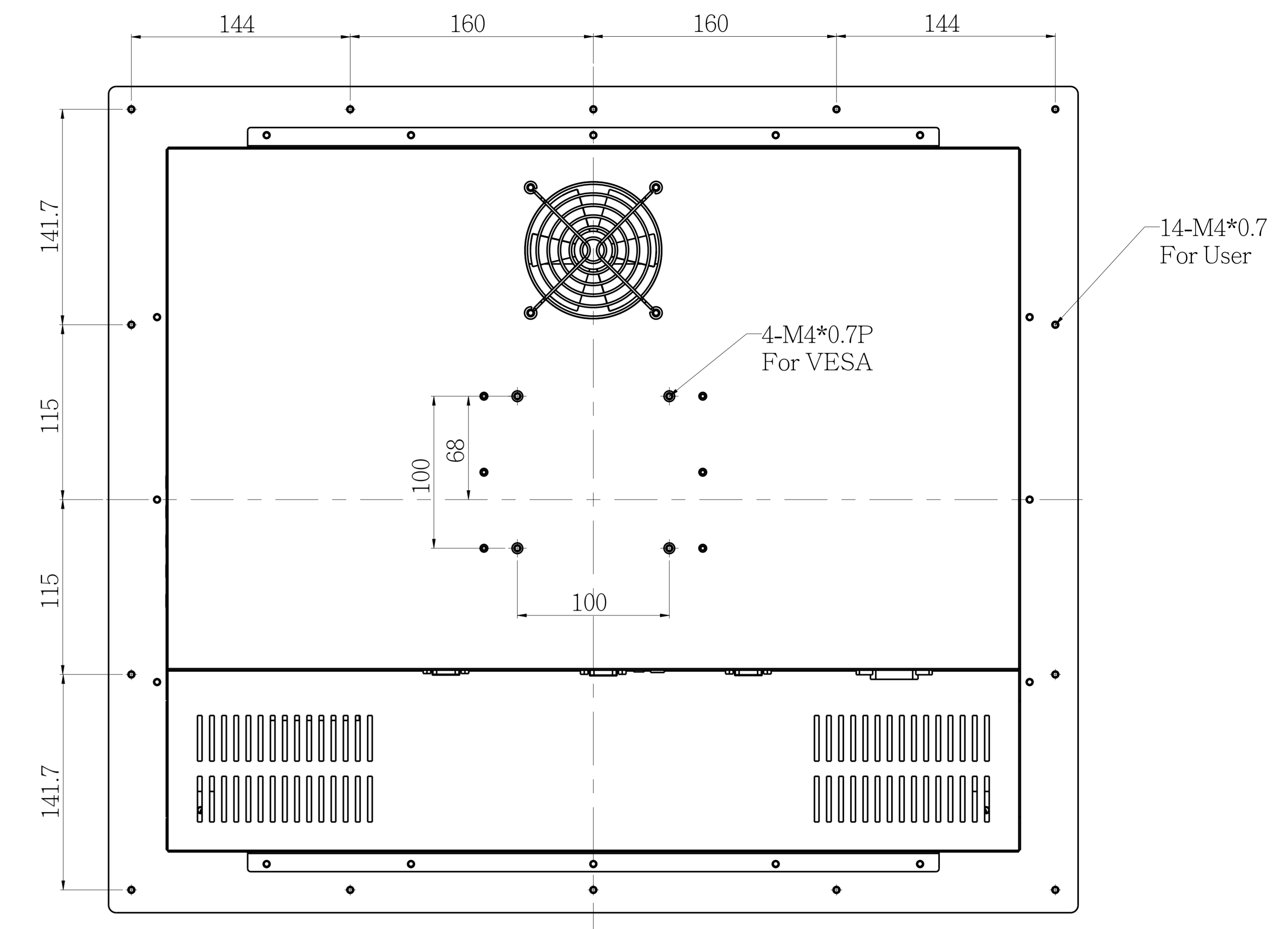
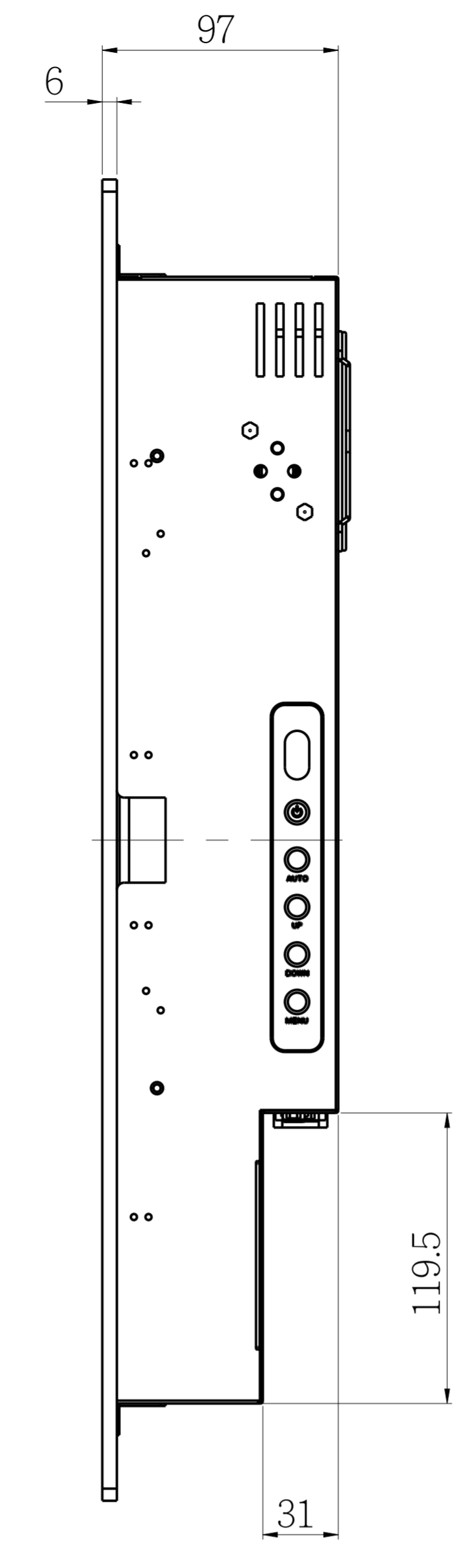
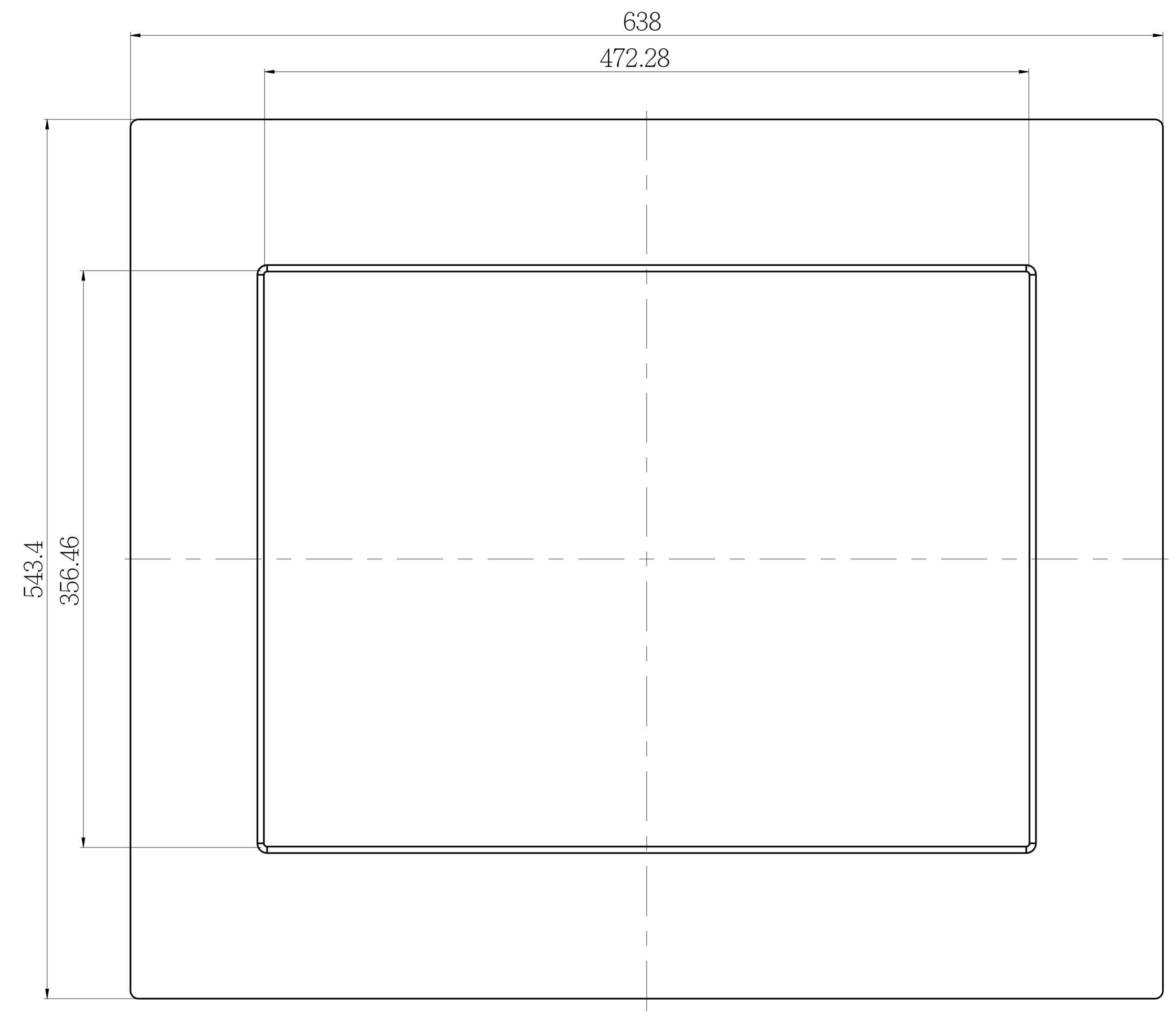
B

C

A

B

C



AD/BOARD		MODEL			PART NAME		ASSEMBLY			
INVERTER										
KEY PAD									DATE	2012-Apr-20
PANEL:		VERSION	MATERIAL	METAL						
		V1								

1 2 3 4 5