

1 2 3 4 5

A

B

C

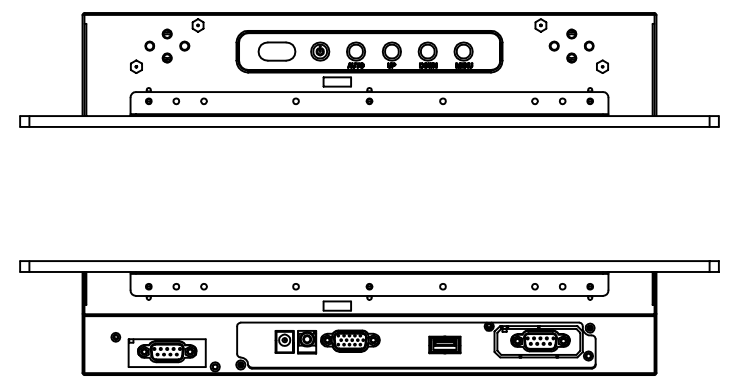
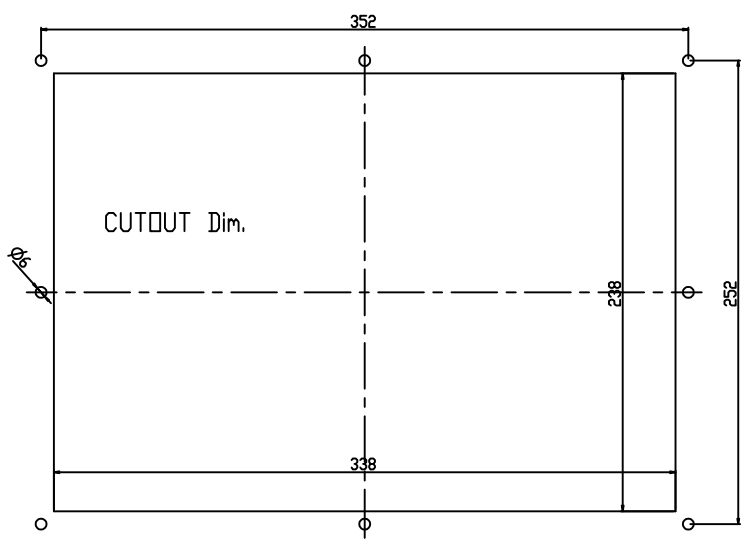
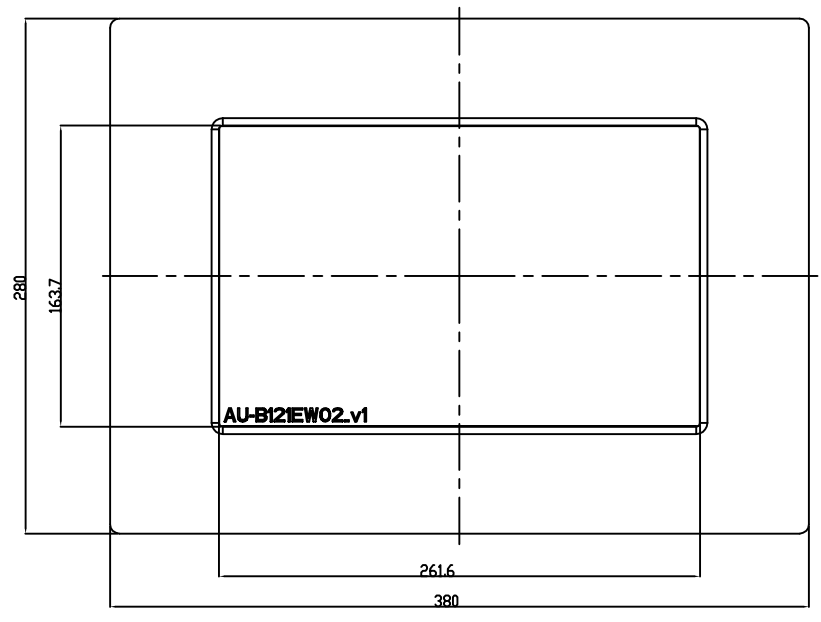
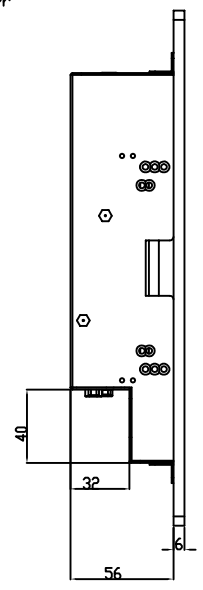
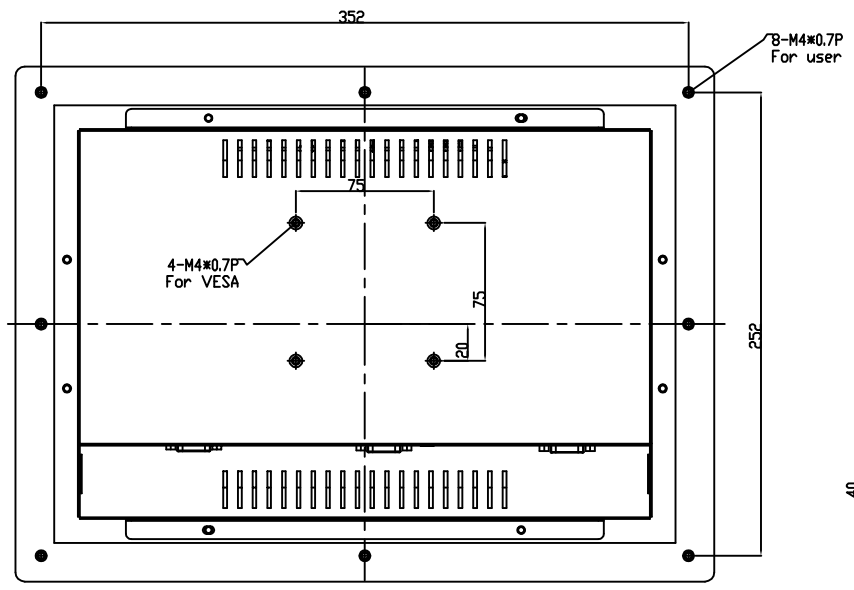
D

A

B

C

D



AD/BOARD		MODEL				PART NAME	ASSEMBLY			
INVERTER			MATERIAL	METAL	DATE		2012-May-08	APPROVED		
KEY PAD			VERSION							
PANEL:		D								

1 2 3 4 5