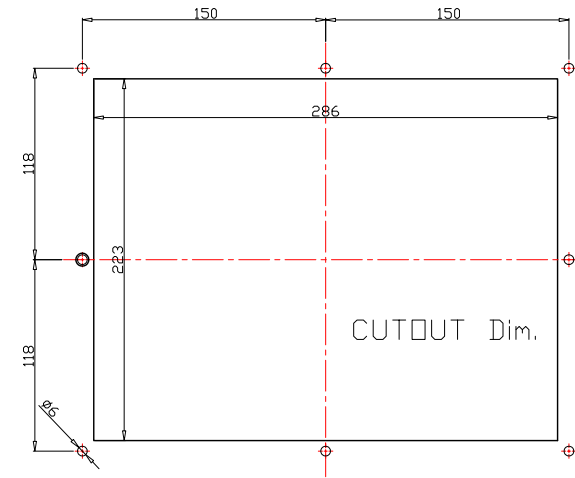


VIEW A



AD/BOARD		MODEL			PART NAME	Assembly							
INVERTER			VERSION					SCALE	1:1				
KEY PAD				D	MATERIAL	METAL	DATE	2012-Feb-22	APPROVED		DRAWN	JACK	DWG SIZE
PANEL:													

1

2

3

4

5

D

A

B

C

A

B

C