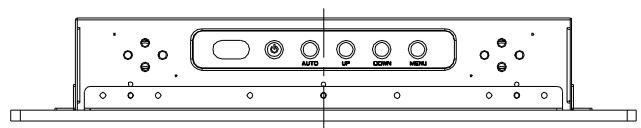
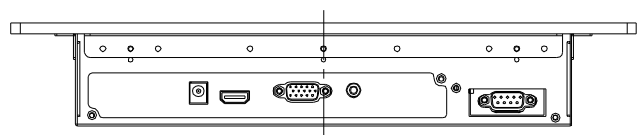
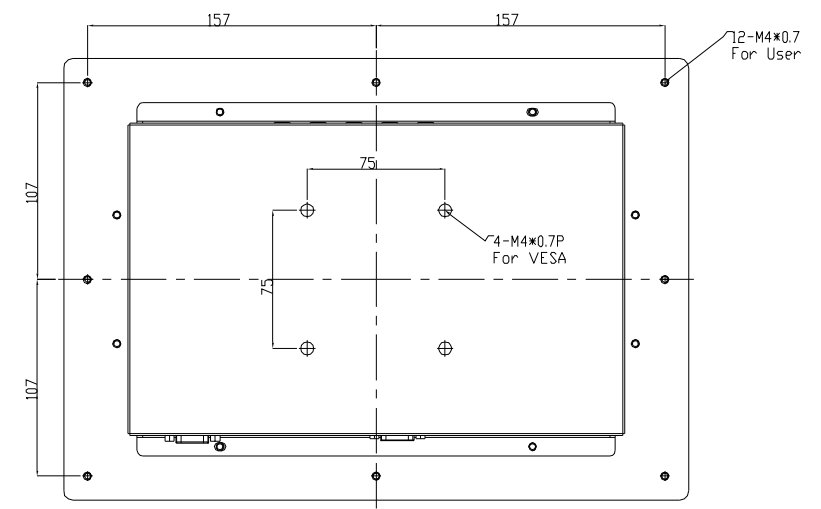
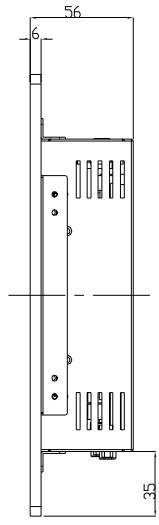
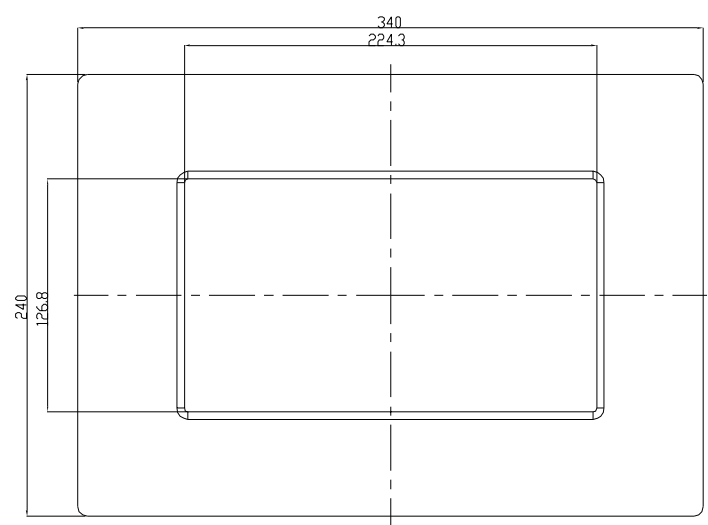


A

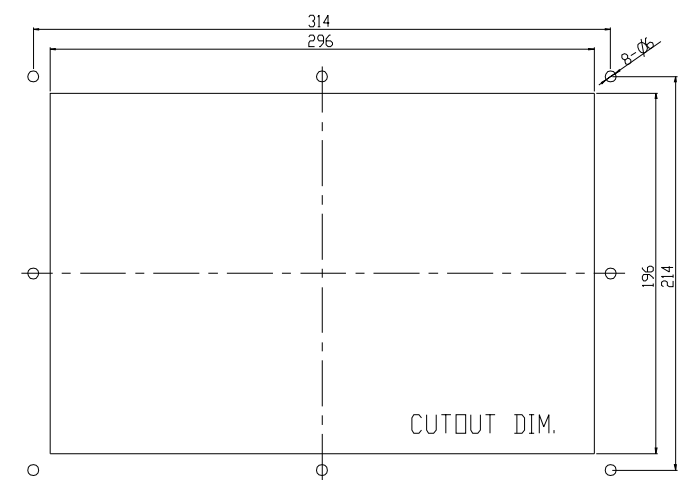
B

C

D



TOP VIEW



AD/BOARD		MODEL									
INVERTER											
KEY PAD											
PANEL:		VERSION	MATERIAL	METAL	DATE	2013-Aug-19	PART NAME	ASSEMBLY		SCALE	1.000
		D					APPROVED	DRAWN	Chris	UNIT	MM