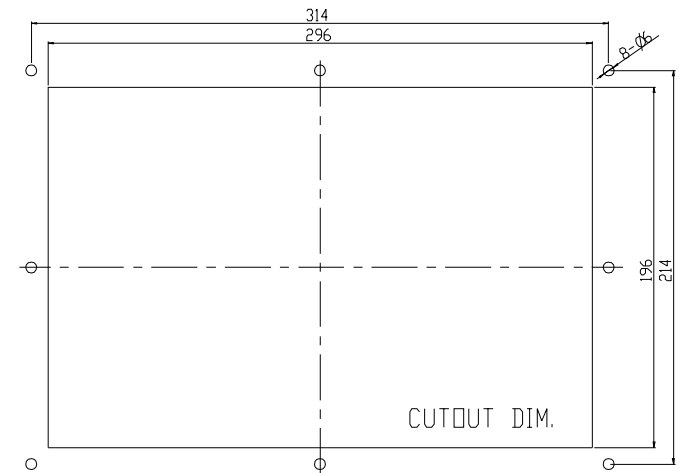


TOP VIEW



| | | | | | | | | | | |
|----------|--|---------|----------|-------|------|-------------|-----------|----------|-------|-------|
| AD/BOARD | | MODEL | | | | | | | | |
| INVERTER | | | | | | | | | | |
| KEY PAD | | | MATERIAL | METAL | DATE | 2013-Aug-19 | PART NAME | ASSEMBLY | SCALE | 1.000 |
| PANEL: | | VERSION | | | | | | | | |
| | | D | | | | | | | | |