

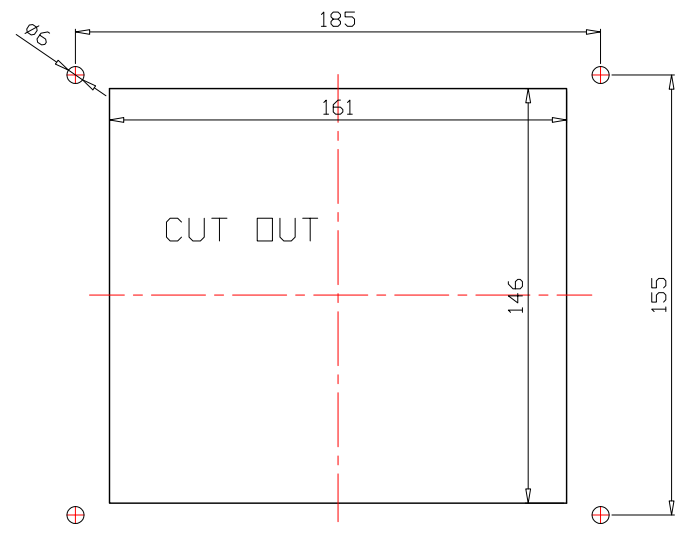
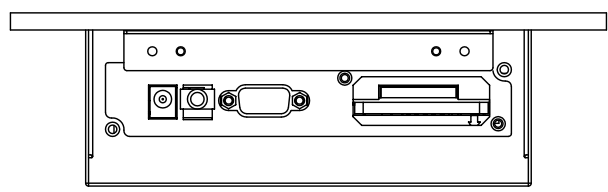
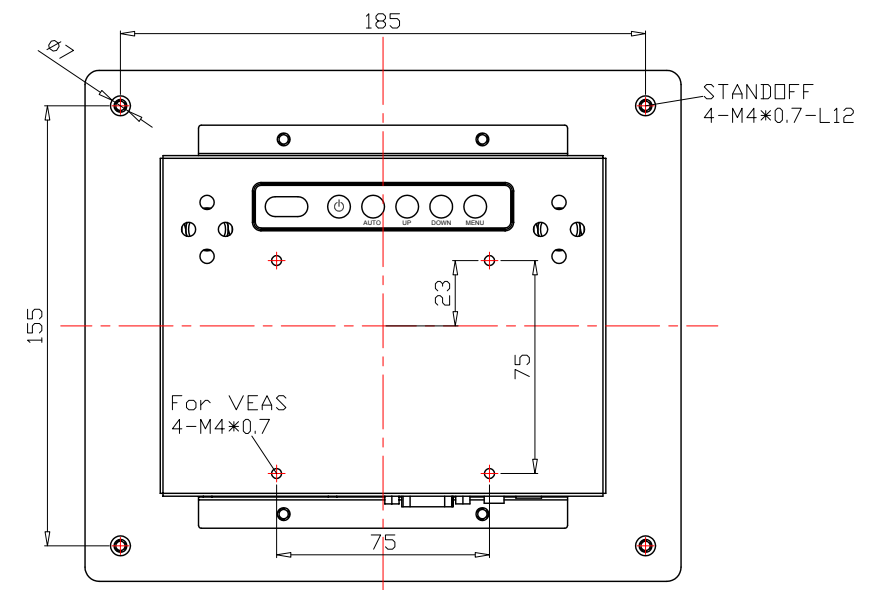
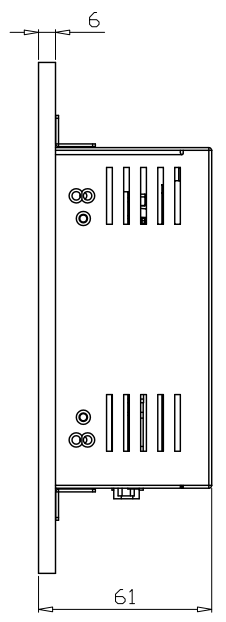
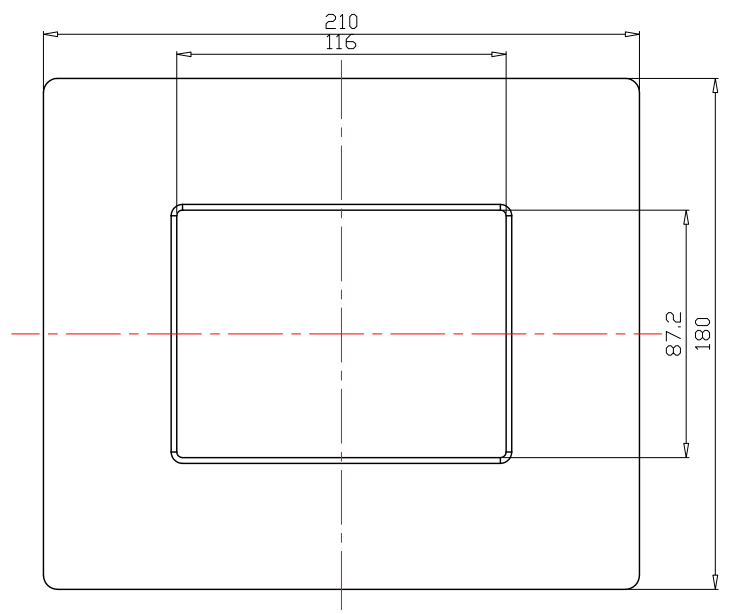
1 2 3 4 5

A

B

C

D



AD/BOARD		MODEL			PART NAME		Assembly			
INVERTER					APPROVED		DRAWN	JACK		
KEY PAD			VERSION	MATERIAL	DATE	2012-Feb-13			UNIT	MM
PANEL:										
AU-G057VN01_V0		D								

1 2 3 4 5