

1 2 3 4 5

A

B

C

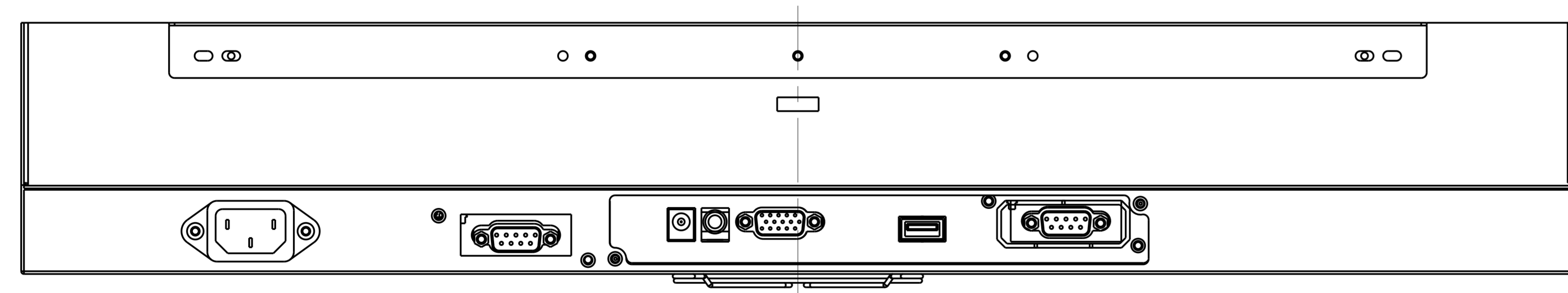
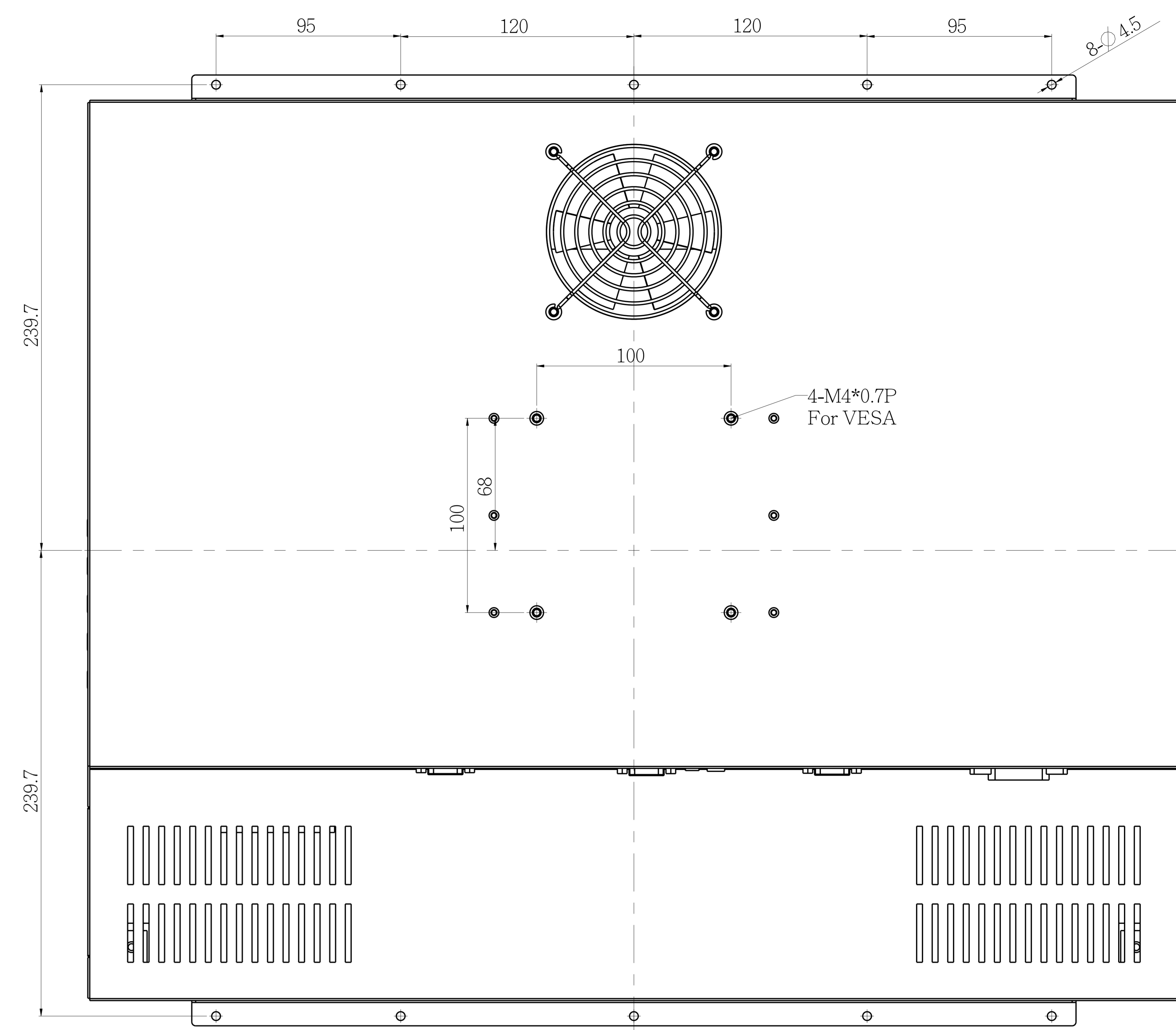
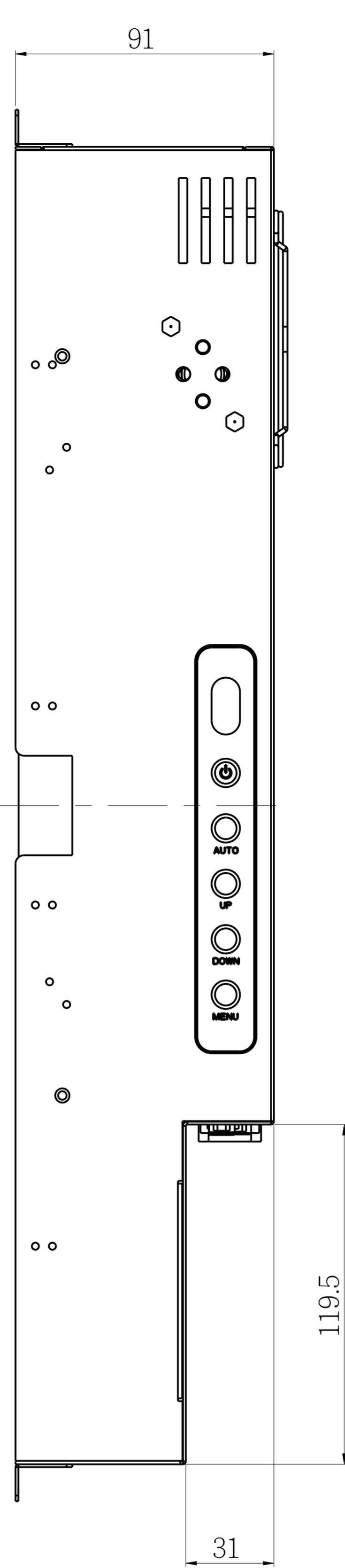
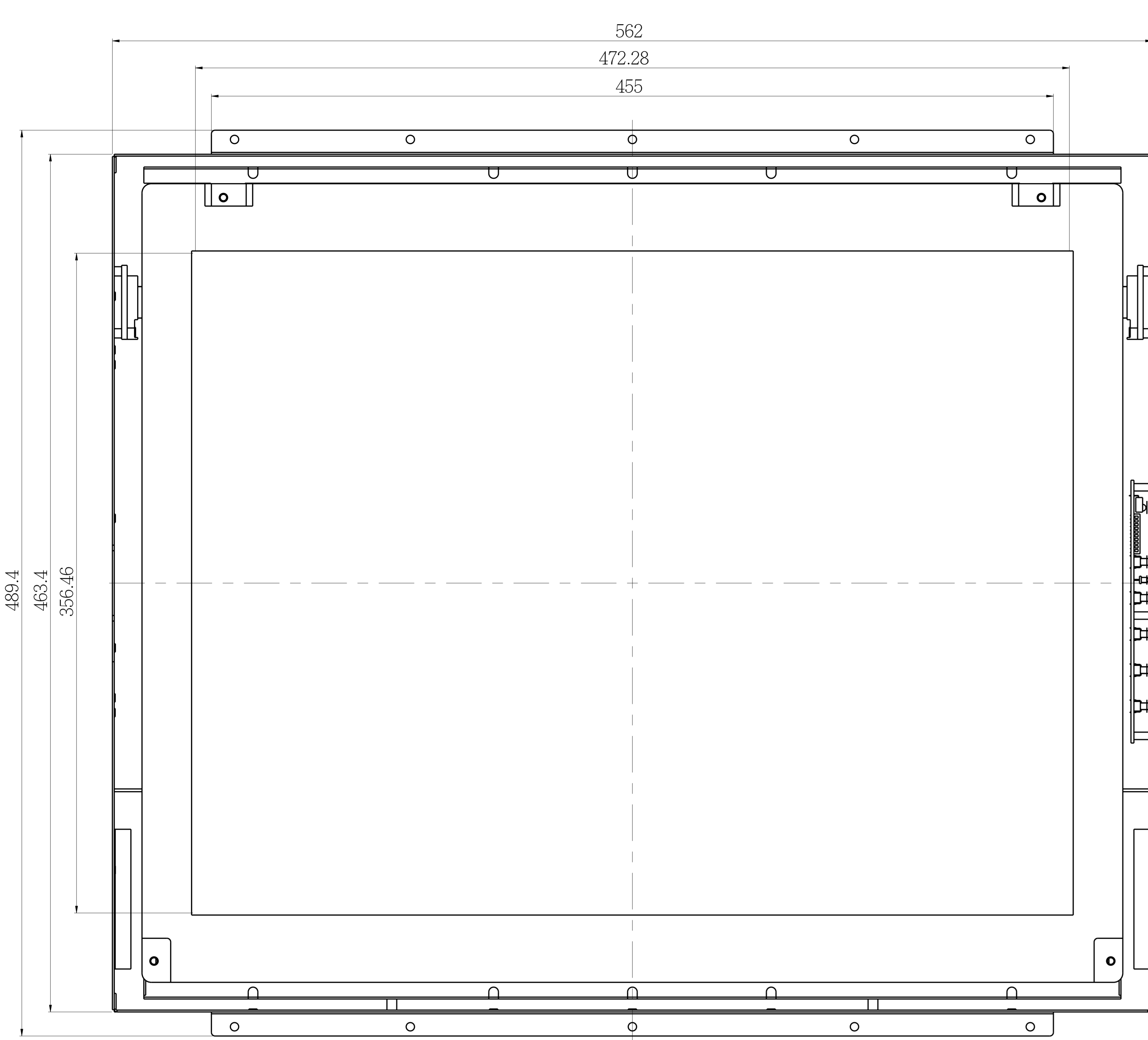
A

B

C

D

D



AD/BOARD											
INVERTER											
KEY PAD		MODEL									
PANEL:		VERSION				PART NAME		ASSEMBLY			
		V1		MATERIAL METAL		DATE 2012-Apr-20		APPROVED		SCALE 0.800	
								DRAWN Chris		UNIT MM	

1 2 3 4 5