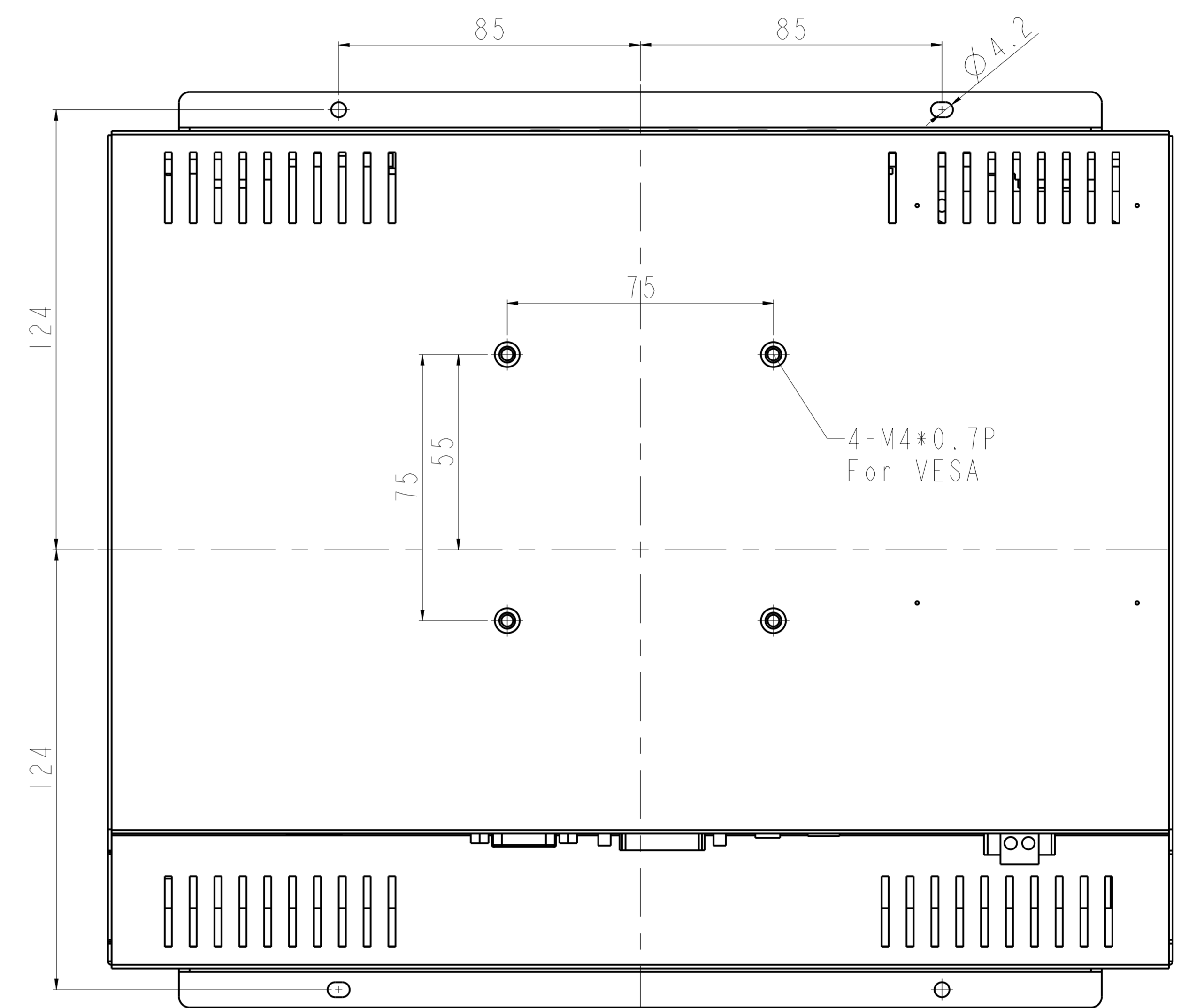
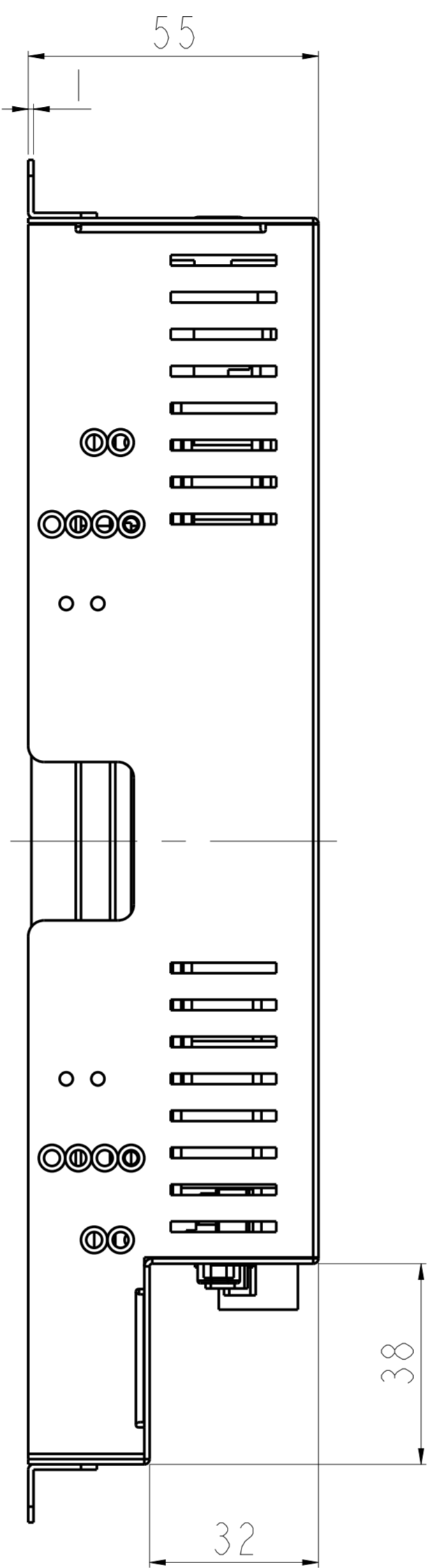
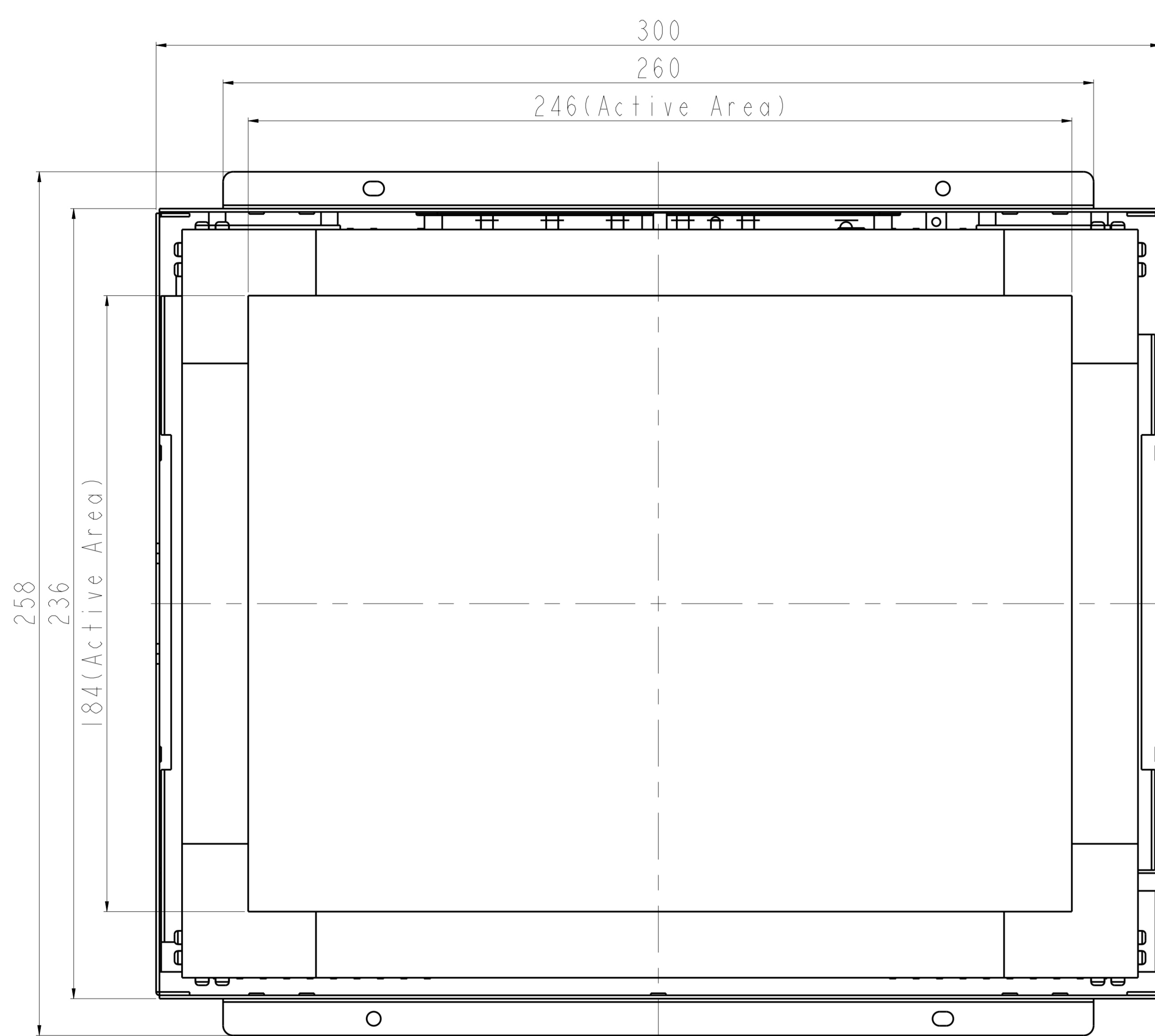
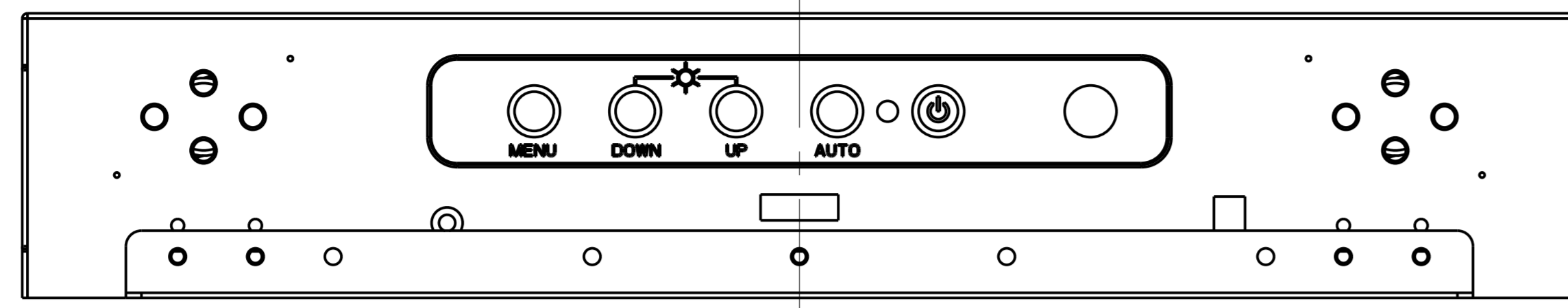


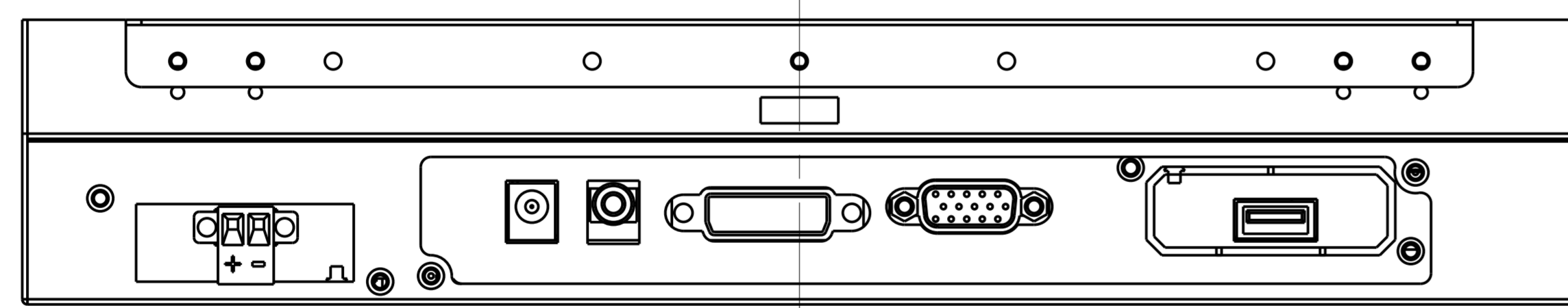
I 2 3 4 5

A



B

C



D

AD/BOARD		MODEL			PART NAME			ASSEMBLY			
INVERTER										SCALE	1.000
KEY PAD										UNIT	MM
PANEL :		VERSION	MATERIAL	METAL	DATE	2013-Jul-31	APPROVED	DRAWN	Chris		
		V1									

I 2 3 4 5