

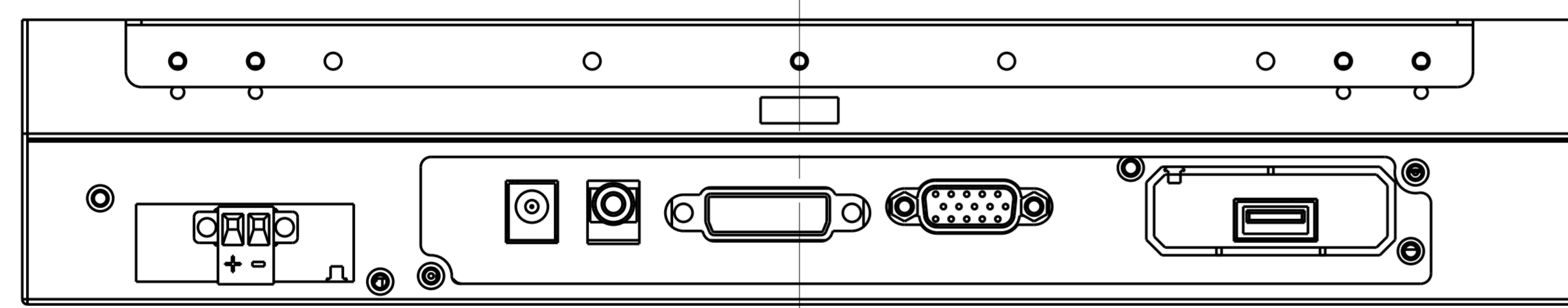
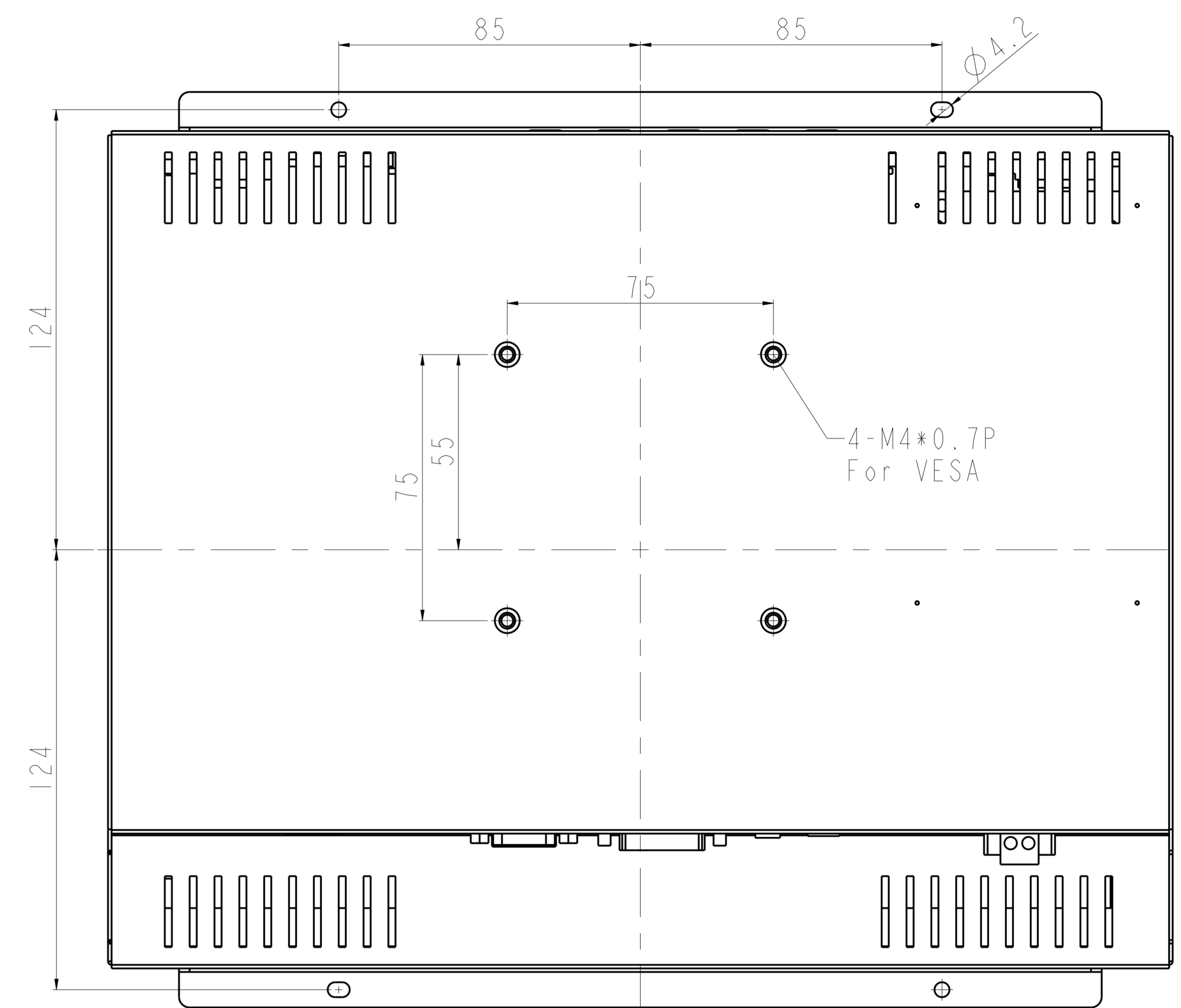
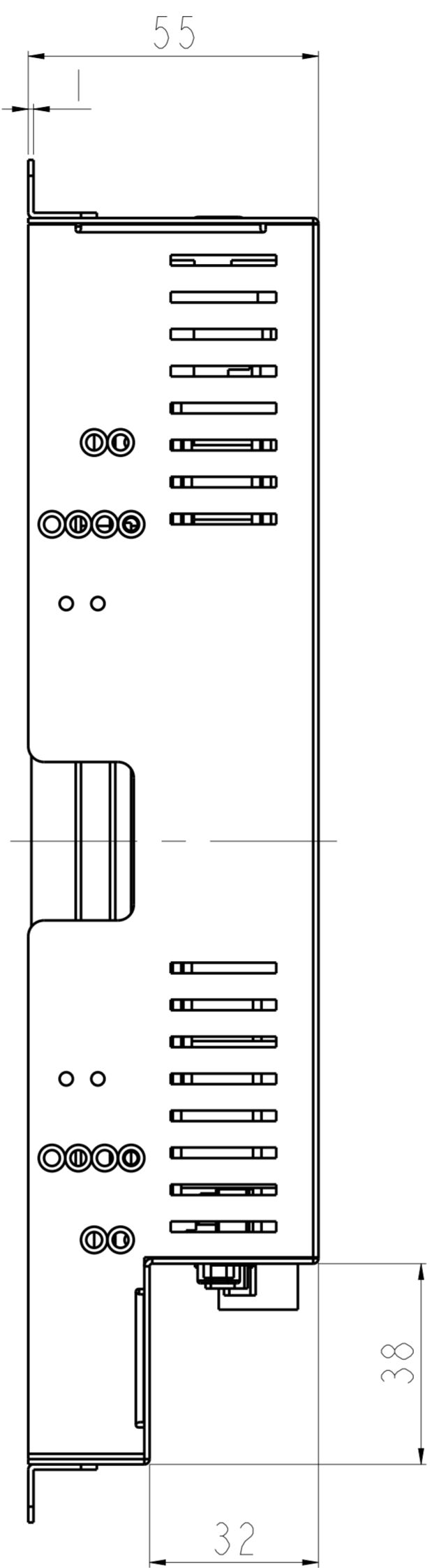
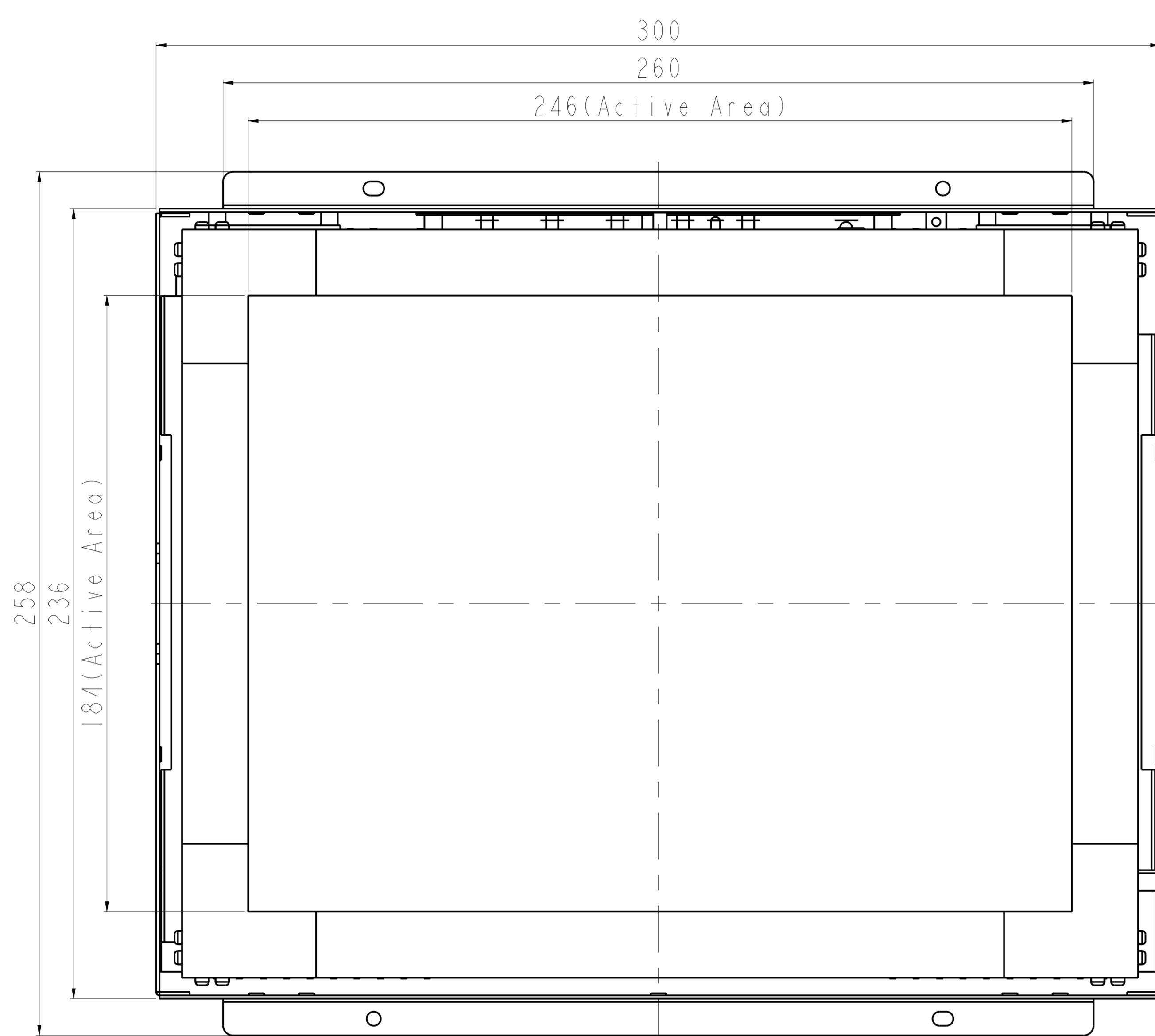
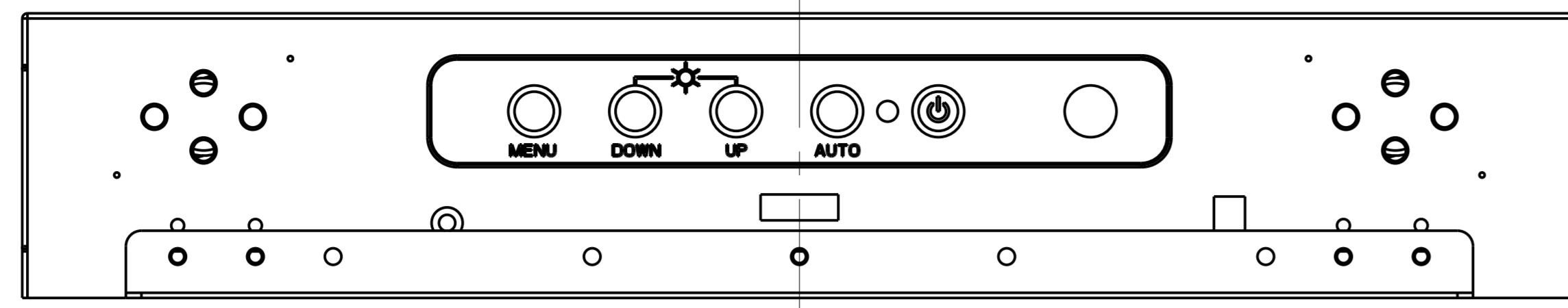
I 2 3 4 5

A

B

C

D



AD/BOARD		MODEL			PART NAME		ASSEMBLY			
INVERTER										
KEY PAD		MATERIAL			DATE		DRAWN		SCALE	1.000
PANEL :	VERSION								METAL	
	V1									

I 2 3 4 5