

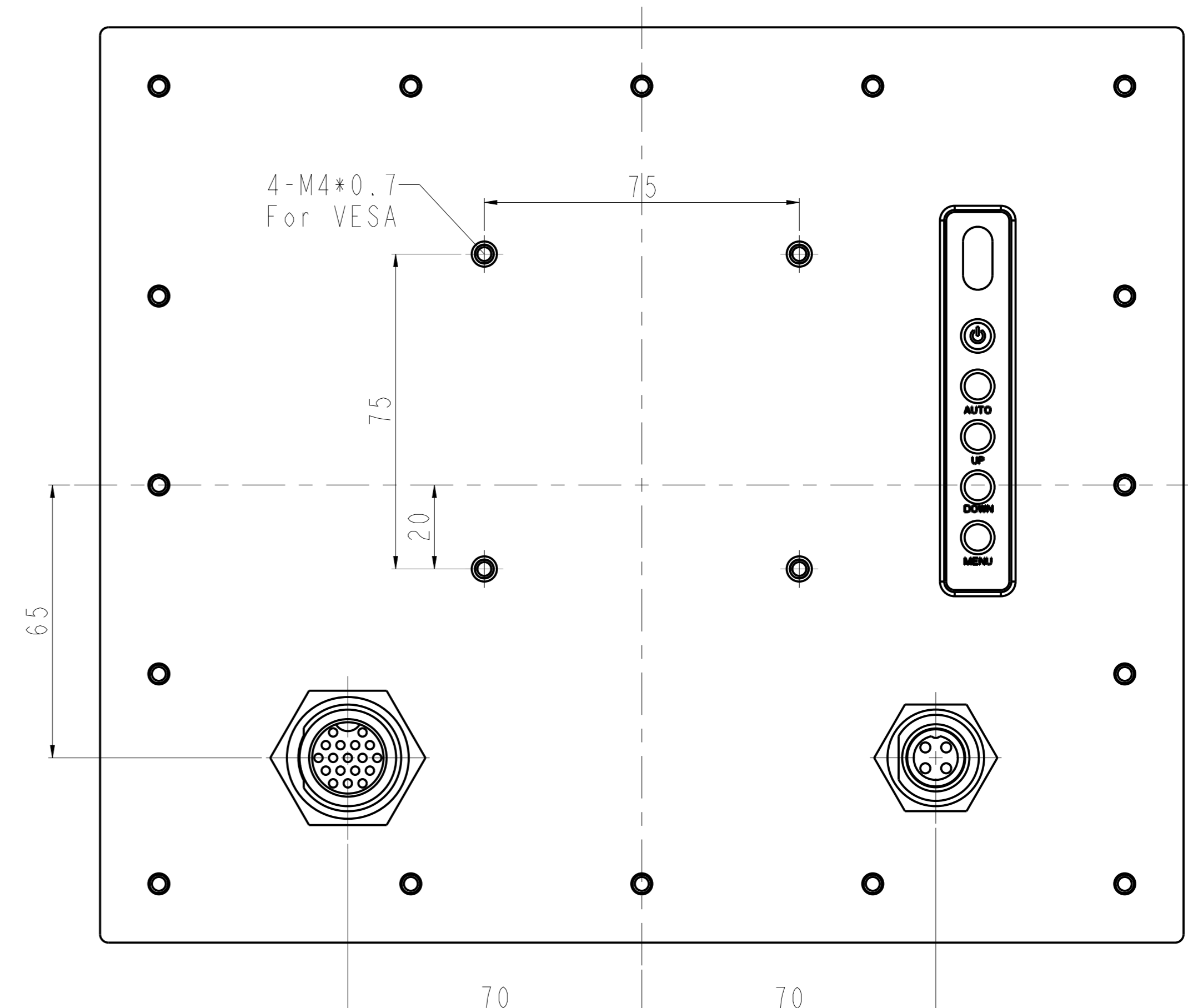
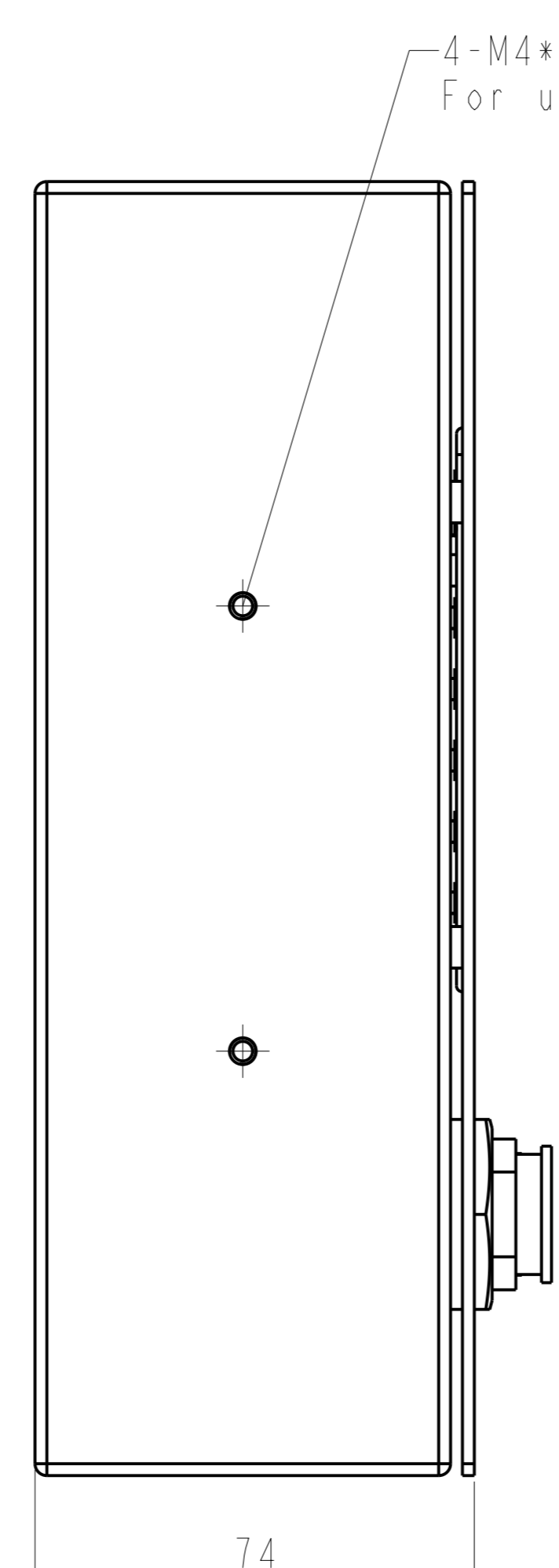
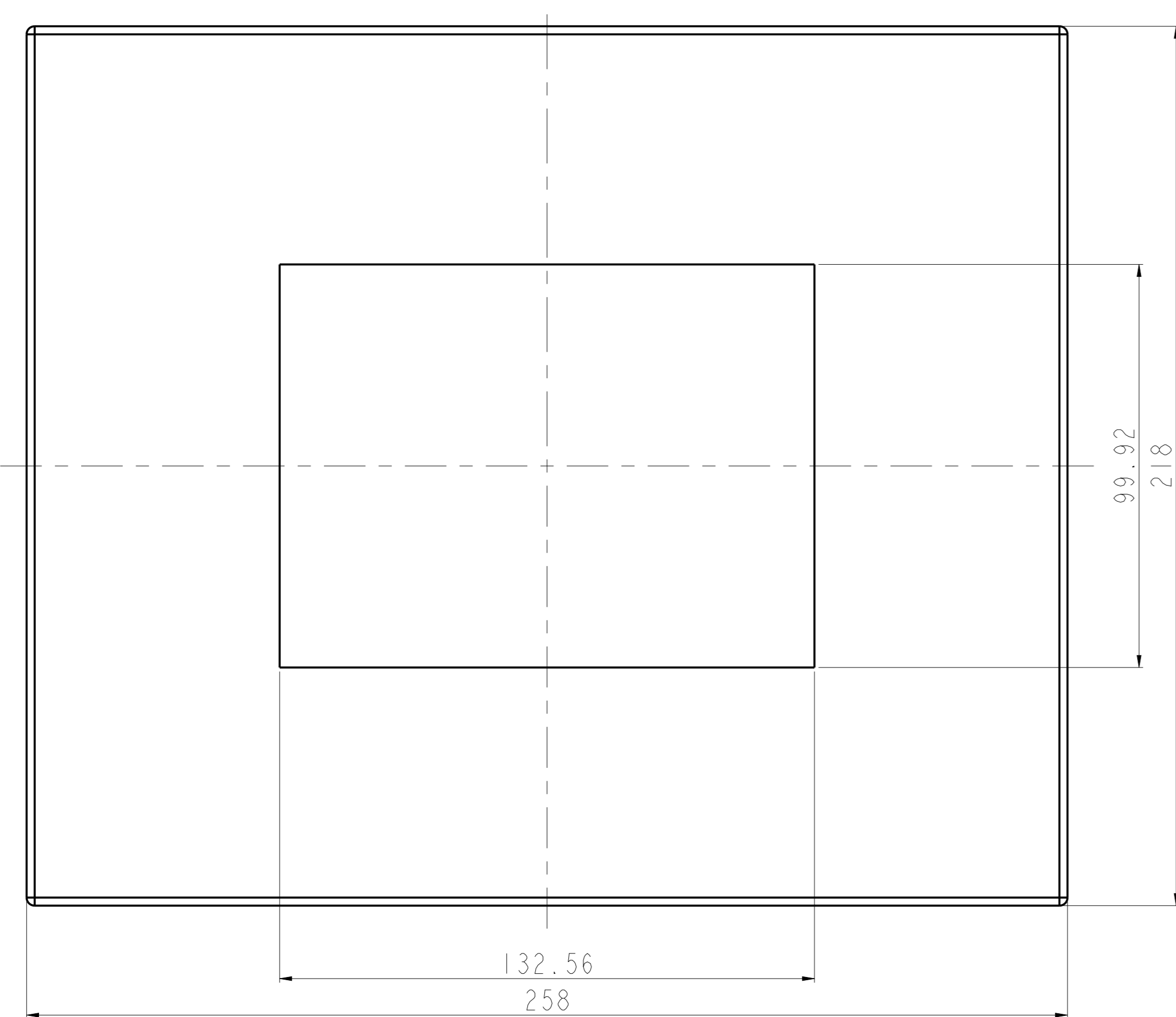
1 2 3 4 5

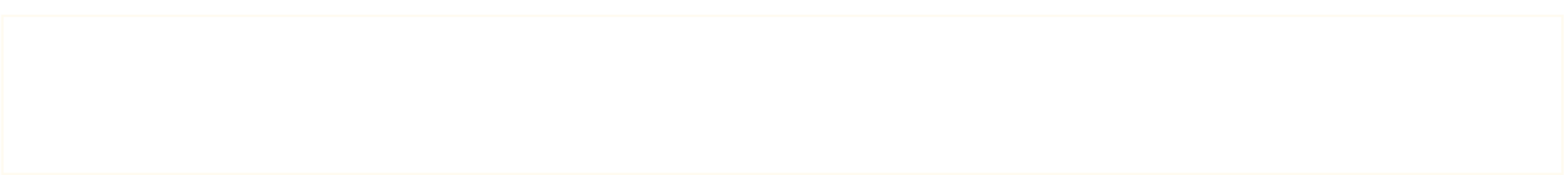
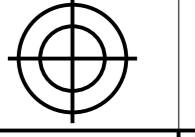
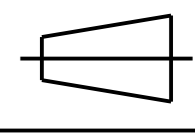
A A

B B

C C

D D



AD/BOARD		MODEL	FCH0656							
INVERTER										
KEY PAD										
PANEL :	VERSION	MATERIAL	METAL	DATE	2014-May-07	PART NAME	ASSEMBLY			
	VI									
									UNIT	MM

1 2 3 4 5