

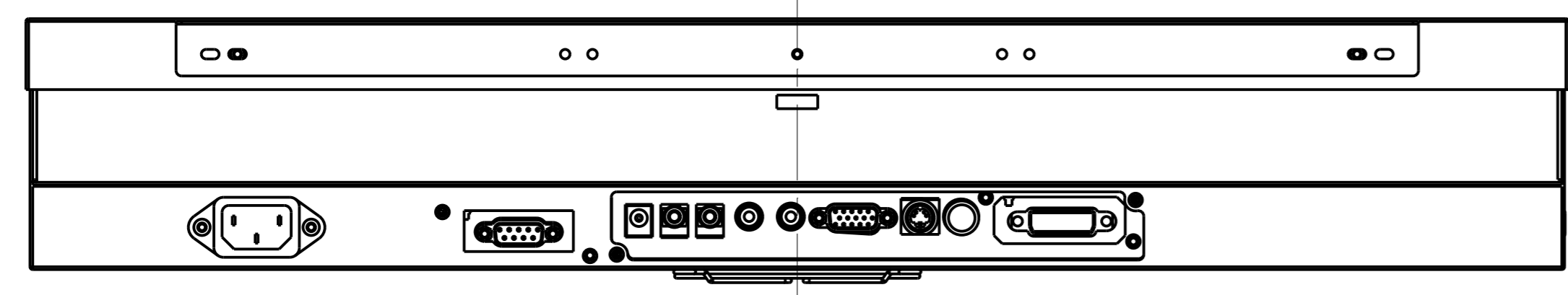
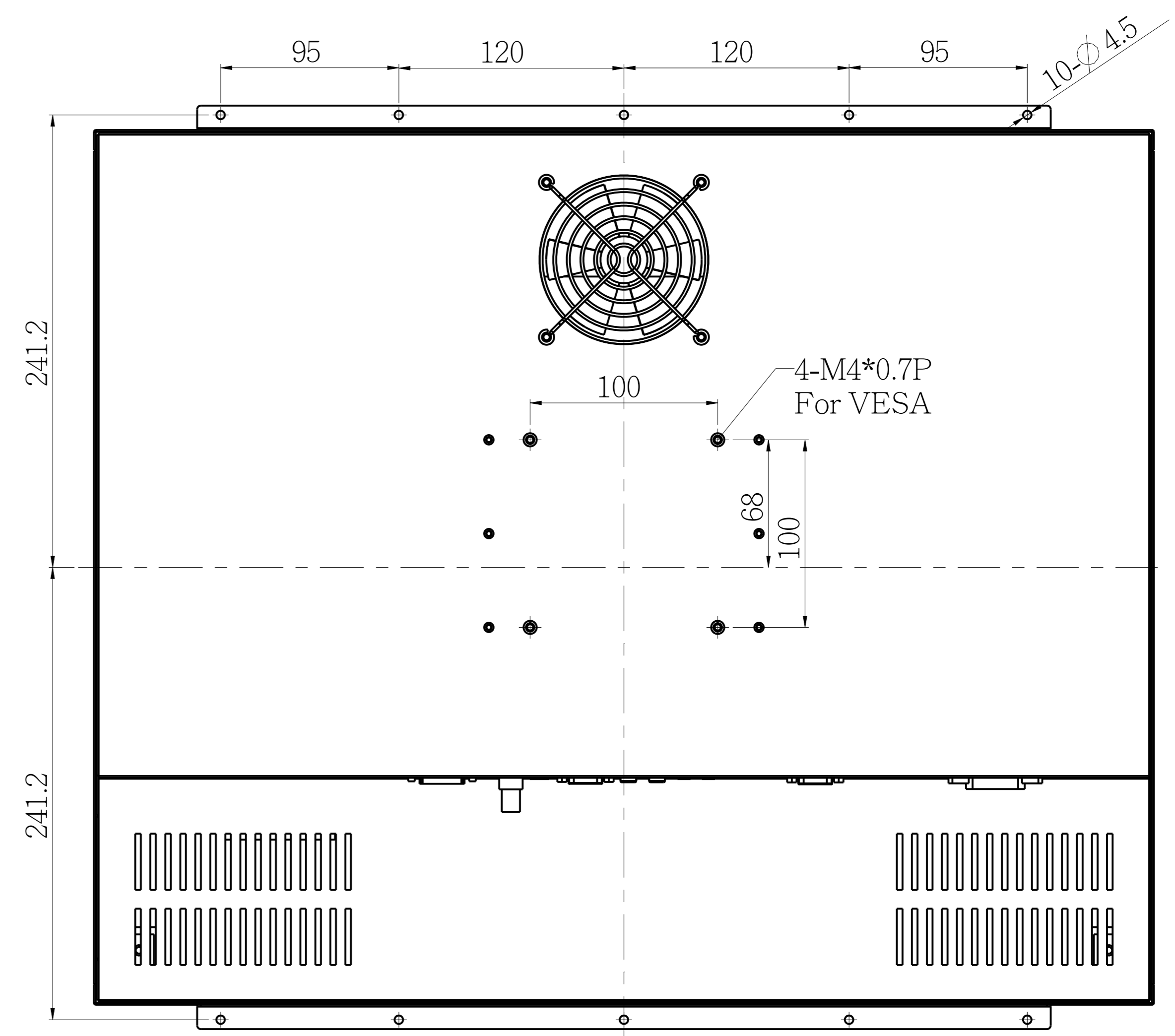
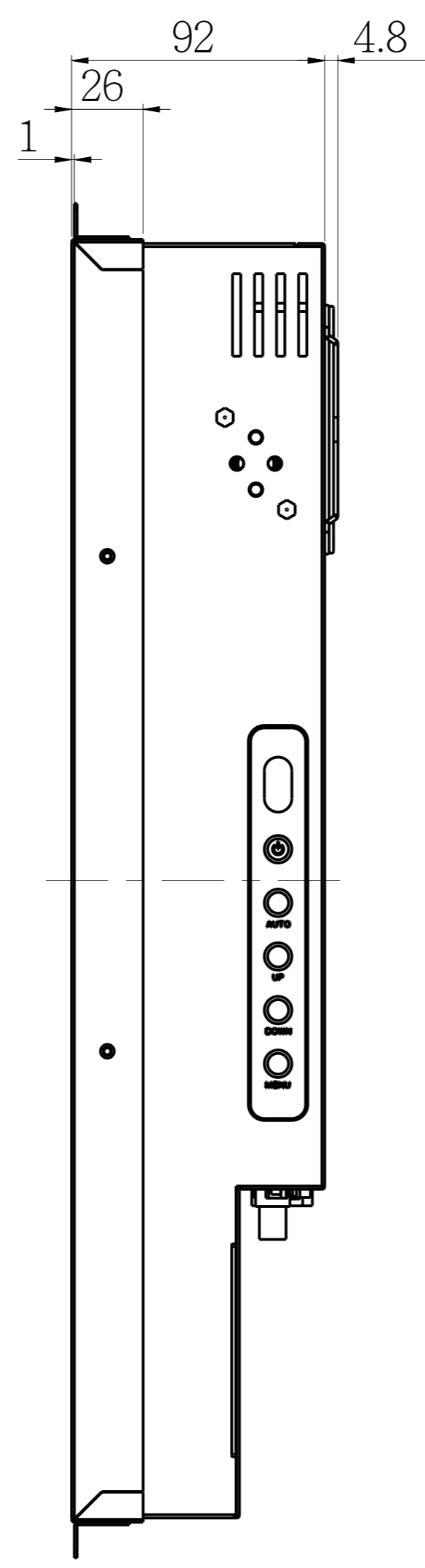
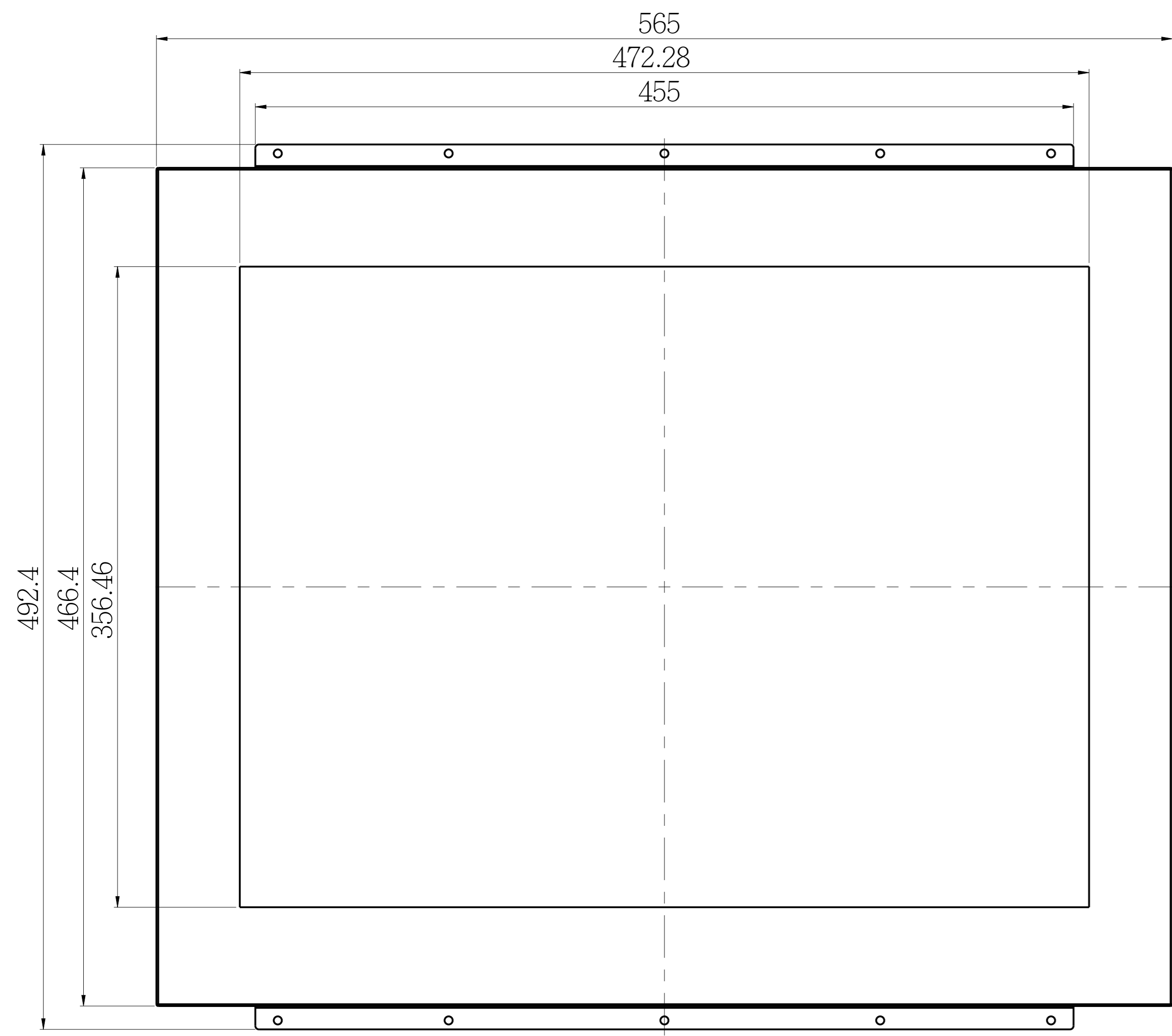
1 2 3 4 5

A

B

C

D



AD/BOARD		MODEL			PART NAME		ASSEMBLY					
INVERTER											SCALE	0.500
KEY PAD									VERSION		DATE	2012-Jul-24
PANEL:		V1	MATERIAL	METAL								

1 2 3 4 5