

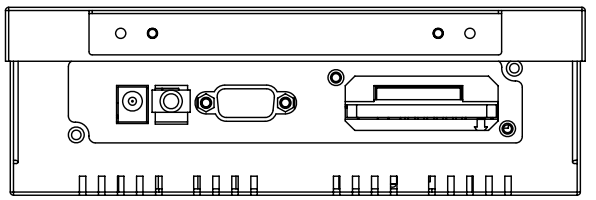
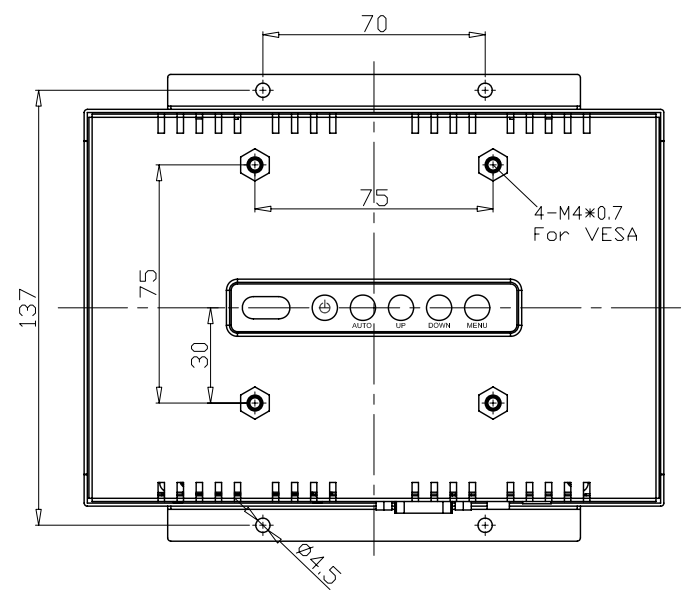
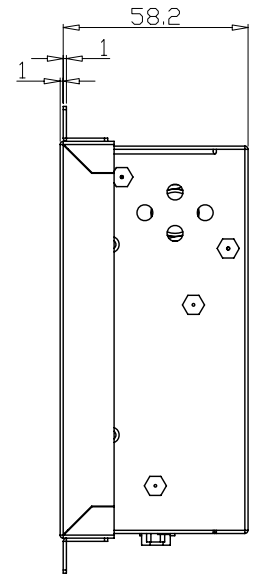
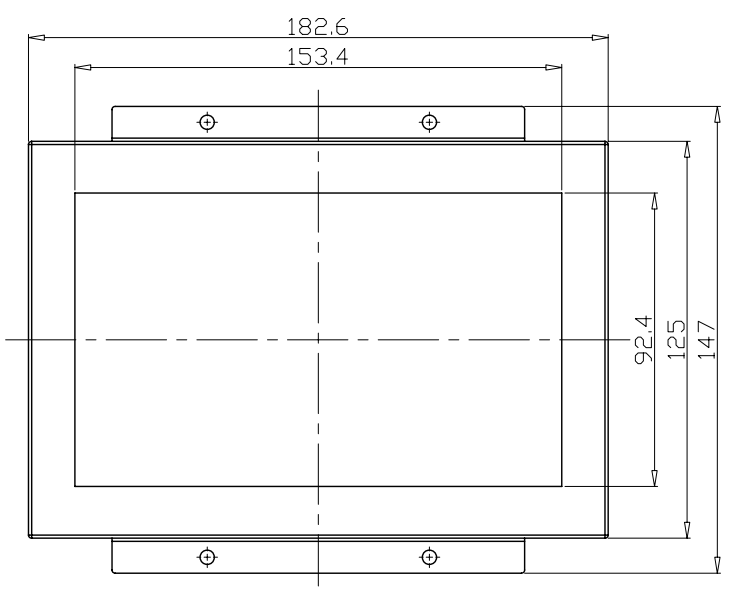
1 2 3 4 5

A

B

C

D



AD/BOARD		MODEL						
INVERTER								
KEY PAD		PART NO.			PART NAME	Assembly		
PANEL:	AU-A070VW01 AU-C070VW02 AU-G070VW01	MATERIAL	DATE	11/12/2009	APPROVED	DRAWN	JACK	
								UNIT
								MM

1 2 3 4 5