

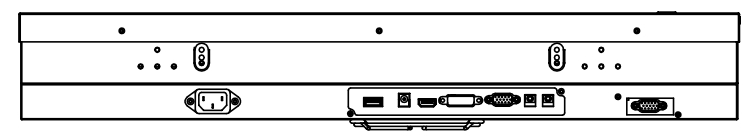
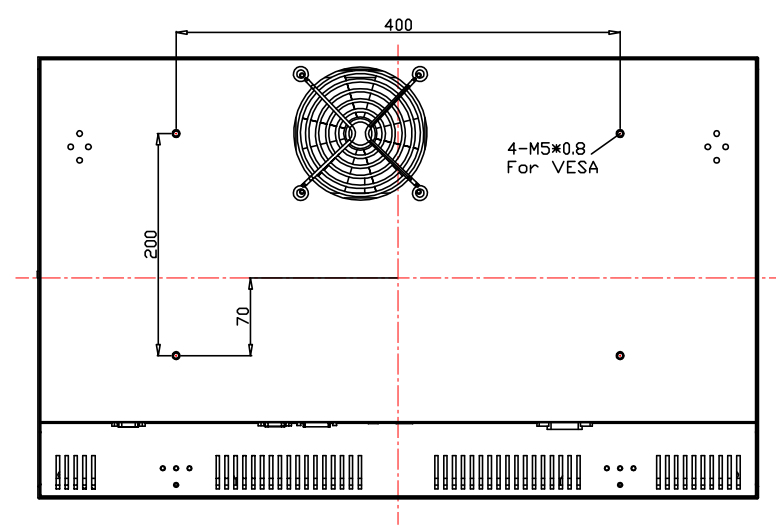
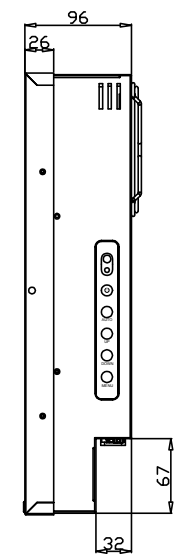
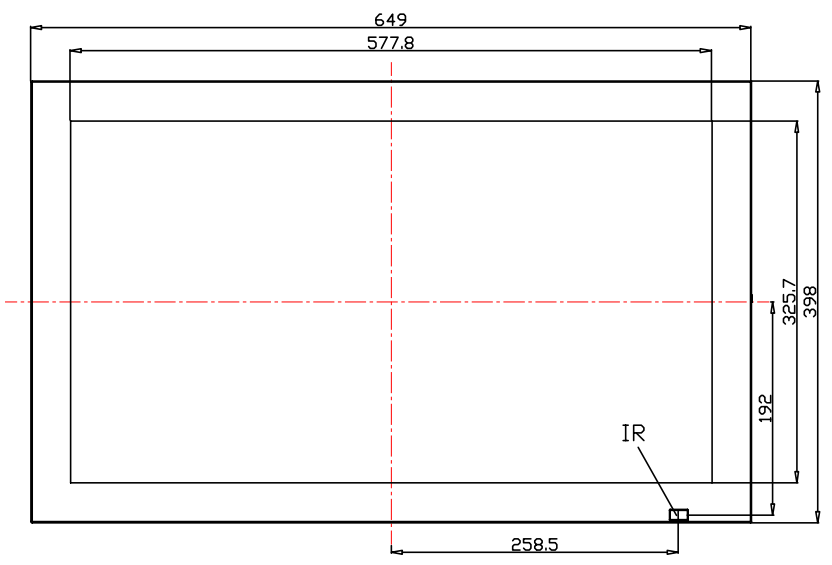
1 2 3 4 5

A A

B B

C C

D D



AD/BOARD		MODEL				PART NAME	ASSEMBLY				
INVERTER			VERSION	MATERIAL	METAL		DATE	2010-06-30		APPROVED	
KEY PAD						V1					
PANEL:											

1 2 3 4 5