

1 2 3 4 5

A

B

C

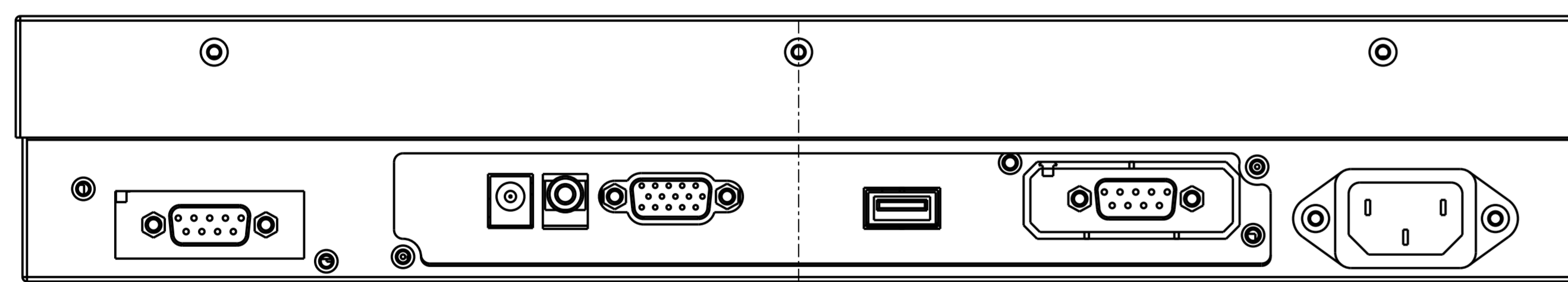
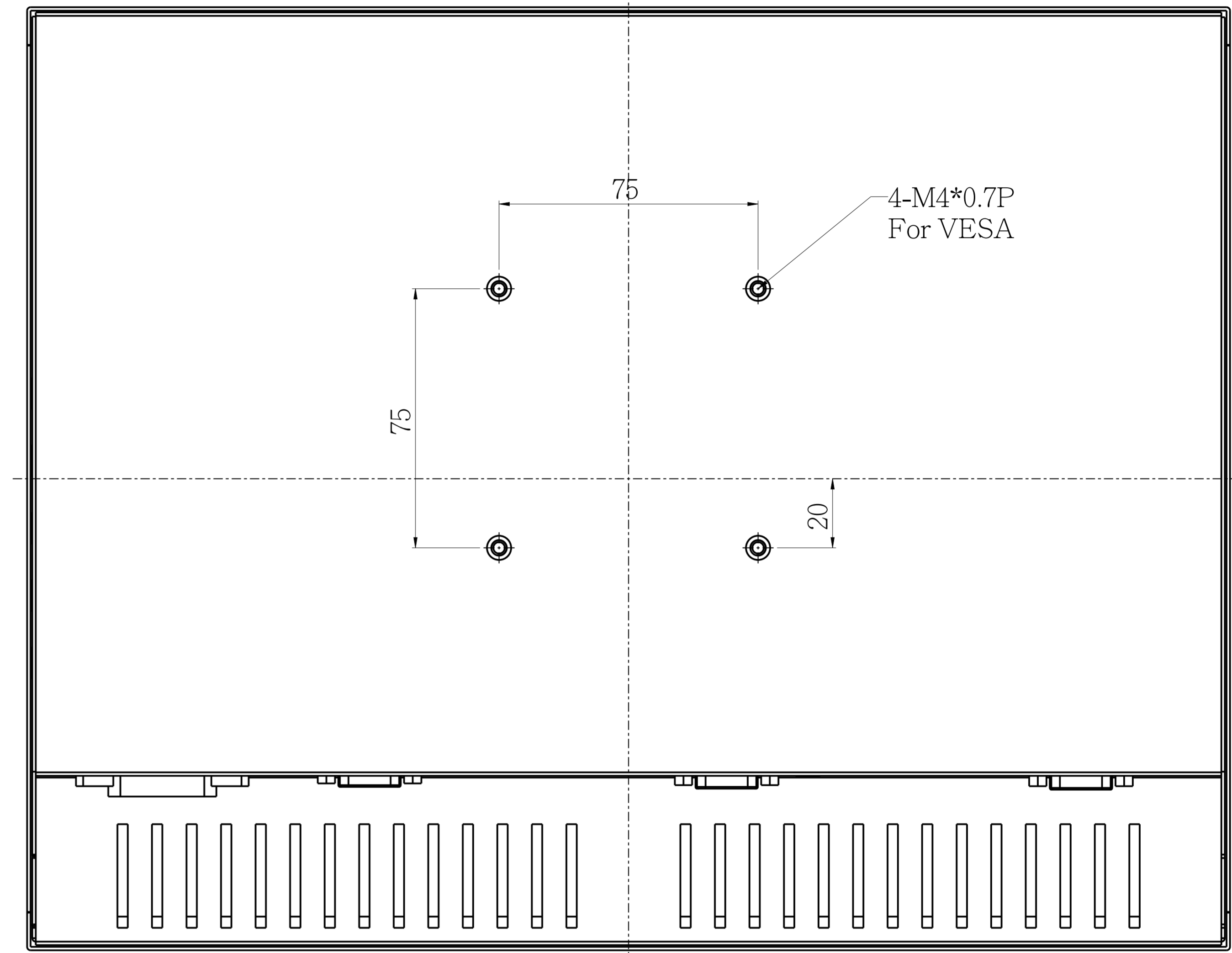
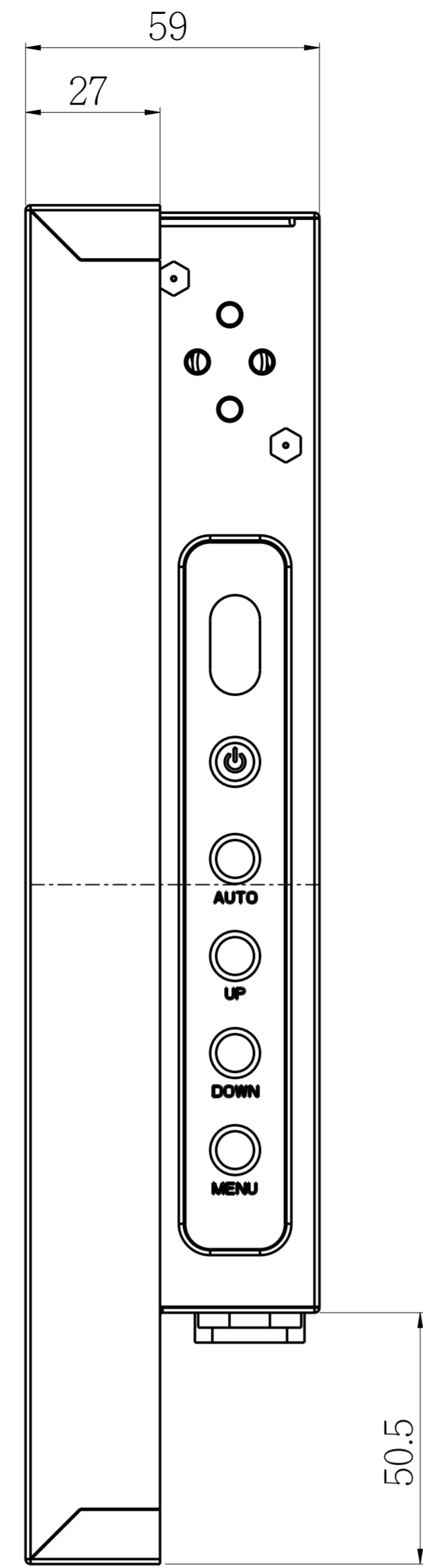
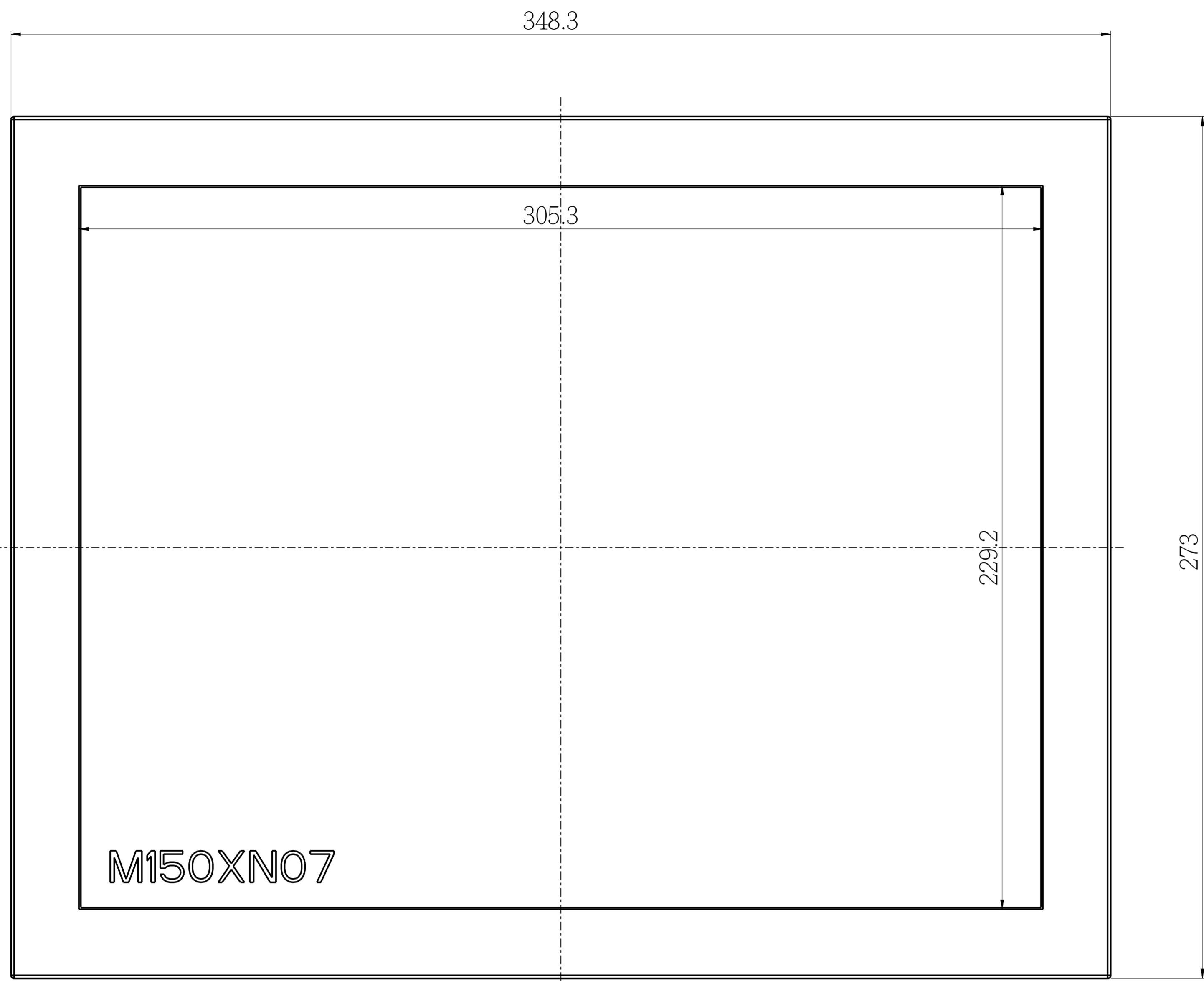
D

A

B

C

D



AD/BOARD		MODEL			PART NAME		ASSEMBLY			
INVERTER										
KEY PAD									VERSION	
PANEL:		V1	MATERIAL	METAL						

1 2 3 4 5