

1 2 3 4 5

A

B

C

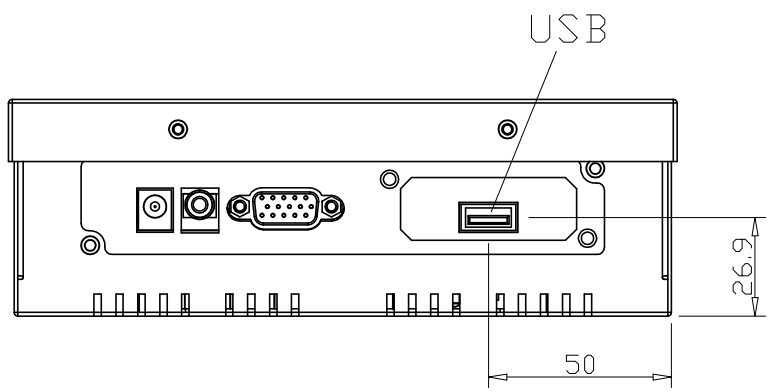
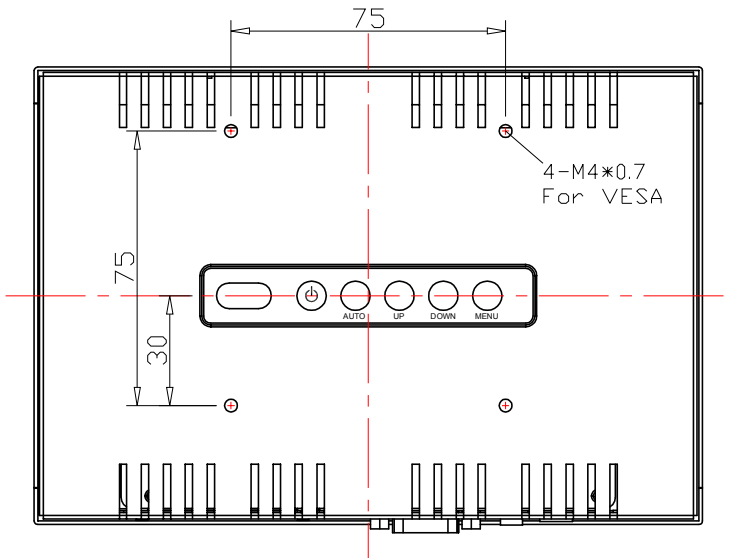
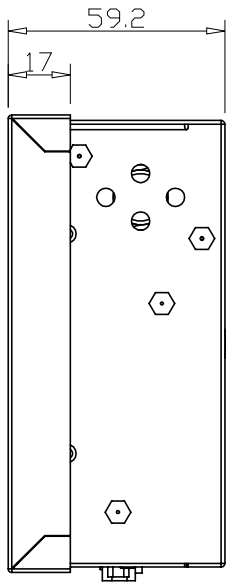
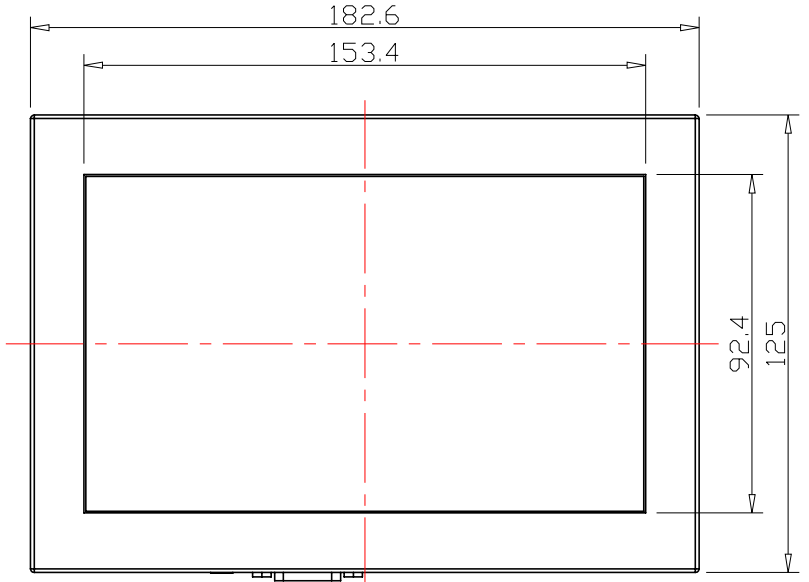
D

A

B

C

D



AD/BOARD		MODEL		DATE		PART NAME		ASSEMBLY			
INVERTER											
KEY PAD										UNIT	MM
PANEL:	VERSION	MATERIAL	METAL	DATE	2011-Sep-15	APPROVED	DRAWN	JACK			
	V1										

1 2 3 4 5