

DH-PFA197R

Junction Box



- Built of aluminum alloy and is cost-effective.
- Suitable for a variety of cameras and is elegant.



Scene

It is ideal for mounting cameras, and works in temperatures ranging from $-40\text{ }^{\circ}\text{C}$ to $+60\text{ }^{\circ}\text{C}$ ($-40\text{ }^{\circ}\text{F}$ to $+140\text{ }^{\circ}\text{F}$) and in environments with relative humidity of less than 90%.

Technical Specification

Structure

Material	Aluminum alloy
Dimensions	$\Phi 129.1\text{ mm} \times 45.0\text{ mm}$ ($\Phi 5.08'' \times 1.77''$)
Color	White
Net Weight	0.4 kg (0.88 lb)
Gross Weight	0.58 kg (1.27 lb)
Load Bearing	3.0 kg (6.61 lb)
Installation	Junction box mount
Screw Thread Type	G 3/4
Applicable Camera	Please see "Accessory Selection"
Product Dimensions	$185.0\text{ mm} \times 163.0\text{ mm} \times 71.0\text{ mm}$ ($7.28'' \times 6.42'' \times 2.8''$) (L x W x H)
Packaging Dimensions	$578.0\text{ mm} \times 383.0\text{ mm} \times 349.0\text{ mm}$ ($22.76'' \times 15.08'' \times 13.74''$) (L x W x H)
Packaging Method	30 pcs in each carton

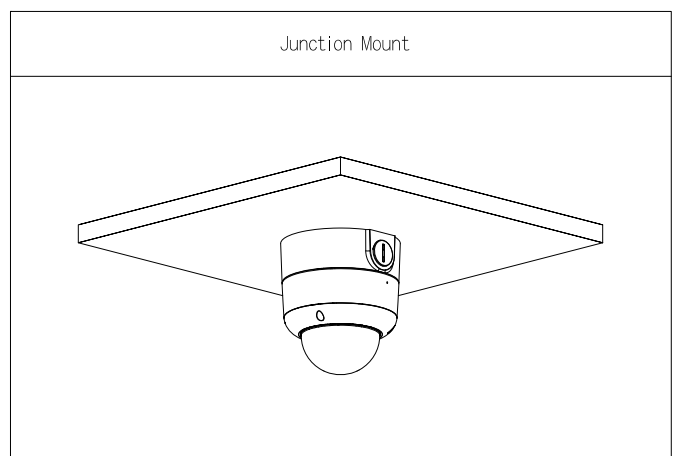
Environment

Operating Temperature	$-40\text{ }^{\circ}\text{C}$ to $+60\text{ }^{\circ}\text{C}$ ($-40\text{ }^{\circ}\text{F}$ to $+140\text{ }^{\circ}\text{F}$)
Operating Humidity	<90% (RH)
Storage Temperature	$-40\text{ }^{\circ}\text{C}$ to $+60\text{ }^{\circ}\text{C}$ ($-40\text{ }^{\circ}\text{F}$ to $+140\text{ }^{\circ}\text{F}$)
Storage Humidity	10%–90% (RH)

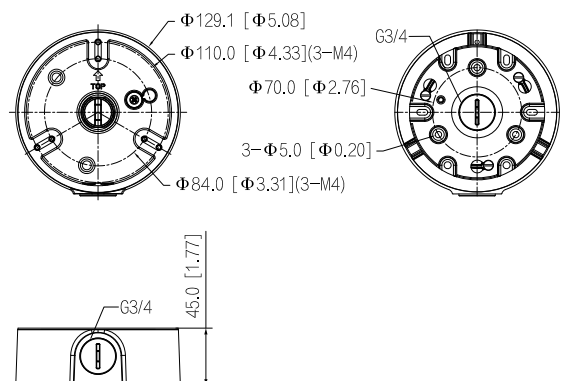
Ordering Information

Type	Model	Description
Camera Mount	DH-PFA197R	Junction Box

Installation



Dimensions (mm[inch])



Package Information

- Junction Box × 1
- M4×10 screws × 3
- ST4×25 screws × 3
- Plastic expansion bolt × 3
- S3.0 wrench × 1
- Water Joint × 1
- Mounting Sticker × 1